

Network Working Group  
Request for Comments: 3895  
Obsoletes: 2495  
Category: Standards Track

O. Nicklass, Ed.  
RAD Data Communications, Ltd.  
September 2004

Definitions of Managed Objects  
for the DS1, E1, DS2, and E2 Interface Types

Status of this Memo

This document specifies an Internet standards track protocol for the Internet community, and requests discussion and suggestions for improvements. Please refer to the current edition of the "Internet Official Protocol Standards" (STD 1) for the standardization state and status of this protocol. Distribution of this memo is unlimited.

Copyright Notice

Copyright (C) The Internet Society (2004).

Abstract

This memo defines a portion of the Management Information Base (MIB) for use with network management protocols in the Internet community. In particular, it describes objects used for managing DS1, E1, DS2 and E2 interfaces. This document is a companion to the documents that define Managed Objects for the DS0, DS3/E3 and Synchronous Optical Network/Synchronous Digital Hierarchy (SONET/SDH) Interface Types. This document obsoletes RFC 2495.

## Table of Contents

|        |  |    |
|--------|--|----|
| 1.     | The Internet-Standard Management Framework . . . . .             | 2  |
| 1.1.   | Changes from RFC 2495. . . . .                                   | 3  |
| 1.2.   | Changes from RFC 1406. . . . .                                   | 3  |
| 1.3.   | Companion Documents. . . . .                                     | 4  |
| 2.     | Overview . . . . .   | 4  |
| 2.1.   | Use of ifTable for DS1 Layer . . . . .                           | 5  |
| 2.2.   | Usage Guidelines . . . . .                                       | 6  |
| 2.2.1. | Usage of ifStackTable for Routers and DSUs. . . . .              | 6  |
| 2.2.2. | Usage of ifStackTable for DS1/E1 on DS2/E2. . . . .              | 8  |
| 2.2.3. | Usage of Channelization for DS3, DS1, DS0 . . . . .              | 9  |
| 2.2.4. | Usage of Channelization for DS3, DS2, DS1 . . . . .              | 10 |
| 2.2.5. | Usage of Loopbacks. . . . .                                      | 11 |
| 2.3.   | Objectives of this MIB Module. . . . .                           | 11 |
| 2.4.   | DS1 Terminology. . . . .   | 12 |
| 2.4.1. | Error Events. . . . .  | 12 |
| 2.4.2. | Performance Defects . . . . .                                    | 13 |
| 2.4.3. | Performance Parameters. . . . .                                  | 14 |
| 2.4.4. | Failure States. . . . .  | 18 |
| 2.4.5. | Other Terms . . . . .  | 21 |
| 3.     | Object Definitions . . . . .                                     | 21 |
| 4.     | Acknowledgments. . . . .   | 74 |
| 5.     | Security Considerations. . . . .                                 | 74 |
| 6.     | References . . . . .   | 76 |
| 6.1.   | Normative References . . . . .                                   | 76 |
| 6.2.   | Informative References . . . . .                                 | 78 |
|        | Appendix A - Use of dsx1IfIndex and dsx1LineIndex. . . . .       | 79 |
|        | Appendix B - The delay approach to Unavailable Seconds . . . . . | 81 |
|        | Author's Address . . . . .                                       | 83 |
|        | Full Copyright Statement . . . . .                               | 84 |

## 1. The Internet-Standard Management Framework

For a detailed overview of the documents that describe the current Internet-Standard Management Framework, please refer to section 7 of RFC 3410 [RFC3410].

Managed objects are accessed via a virtual information store, termed the Management Information Base or MIB. MIB objects are generally accessed through the Simple Network Management Protocol (SNMP). Objects in the MIB are defined using the mechanisms defined in the Structure of Management Information (SMI). This memo specifies a MIB module that is compliant to the SMIV2, which is described in STD 58, RFC 2578 [RFC2578], STD 58, RFC 2579 [RFC2579] and STD 58, RFC 2580 [RFC2580].

### 1.1. Changes from RFC 2495

The changes from [RFC2495] are the following:

- (1) The dsx1FracIfIndex SYNTAX matches the description range.
- (2) A value was added to dsx1TransmitClockSource.
- (3) Values were added to dsx1LineType.
- (4) Two objects were added, dsx1LineMode and dsx1LineBuildOut to better express transceiver mode and LineBuildOut for T1.
- (5) Reference was added to Circuit Identifier object.
- (6) Align the DESCRIPTION clauses of few statistic objects with the near end definition, the far end definition and with [RFC3593].
- (7) Changes in Compliance Statements to include new objects.
- (8) A typographical error in dsx2E2 was fixed, new name is dsx1E2.

### 1.2. Changes from RFC 1406

The changes from RFC 1406 [RFC1406] are the following:

- (1) The Fractional Table has been deprecated.
- (2) This document uses SMIV2.
- (3) Usage is given for ifTable and ifXTable.
- (4) Example usage of ifStackTable is included.
- (5) dsx1IfIndex has been deprecated.
- (6) Support for DS2 and E2 have been added.
- (7) Additional lineTypes for DS2, E2, and unframed E1 were added.
- (8) The definition of valid intervals has been clarified for the case where the agent proxied for other devices. In particular, the treatment of missing intervals has been clarified.
- (9) An inward loopback has been added.

- (10) Additional lineStatus bits have been added for Near End in Unavailable Signal State, Carrier Equipment Out of Service, DS2 Payload AIS, and DS2 Performance Threshold.
- (11) A read-write line Length object has been added.
- (12) Signal mode of other has been added.
- (13) Added a lineStatus last change, trap and enabler.
- (14) The e1(19) ifType has been obsoleted so this MIB does not list it as a supported ifType.
- (15) Textual Conventions for statistics objects have been used.
- (16) A new object, dsx1LoopbackStatus has been introduced to reflect the loopbacks established on a DS1 interface and the source to the requests. dsx1LoopbackConfig continues to be the desired loopback state while dsx1LoopbackStatus reflects the actual state.
- (17) A dual loopback has been added to allow the setting of an inward loopback and a line loopback at the same time.
- (18) An object indicating which channel to use within a parent object (i.e., DS3) has been added.
- (19) An object has been added to indicate whether or not this DS1/E1 is channelized.
- (20) Line coding type of B6ZS has been added for DS2.

### 1.3. Companion Documents

This document is a companion to the documents that define Managed Objects for the DS0 [RFC2494], DS3/E3 [RFC3896], and Synchronous Optical Network/Synchronous Digital Hierarchy (SONET/SDH) [RFC3592] Interface Types.

## 2. Overview

These objects are used when the particular media being used to realize an interface is a DS1/E1/DS2/E2 interface. At present, this applies to these values of the ifType variable in the Internet-standard MIB:

ds1 (18)

The definitions contained herein are based on the AT&T T-1 Superframe (a.k.a., D4) [ANSI-T1.107] and Extended Superframe (ESF) formats [AT&T-UM-305] [AT&T-TR-54016], the latter of which conforms to ANSI specification [ANSI-T1.403], and the CCITT Recommendations [CCITT-G.703] [ITU-T-G.704], referred to as E1 for the rest of this memo.

The various DS1 and E1 line disciplines are similar enough that separate MIBs are unwarranted, although there are some differences. For example, Loss of Frame is defined more rigorously in the ESF specification than in the D4 specification, but it is defined in both. Therefore, interface types el(19) and g703at2mb(67) have been obsoleted.

Where it is necessary to distinguish between the flavors of E1 with and without CRC, E1-CRC denotes the "with CRC" form (G.704 Table 4b) and E1-noCRC denotes the "without CRC" form (G.704 Table 4a).

2.1. Use of ifTable for DS1 Layer

Only the ifGeneralInformationGroup needs to be supported.

| ifTable Object | Use for DS1 Layer  |
|----------------|--|
| ifIndex        | Interface index.   |
| ifDescr        | See interfaces MIB [RFC2863]   |
| ifType         | ds1(18)  |
| ifSpeed        | Speed of line rate<br>DS1 - 1544000<br>E1 - 2048000<br>DS2 - 6312000<br>E2 - 8448000   |
| ifPhysAddress  | The value of the Circuit Identifier.<br>If no Circuit Identifier has been assigned this object should have an octet string with zero length. |
| ifAdminStatus  | See interfaces MIB [RFC2863]   |
| ifOperStatus   | See interfaces MIB [RFC2863]   |
| ifLastChange   | See interfaces MIB [RFC2863]   |
| ifName         | See interfaces MIB [RFC2863].  |

ifLinkUpDownTrapEnable Set to enabled(1).

ifHighSpeed Speed of line in Mega-bits per second  
(2, 6, or 8)

ifConnectorPresent Set to true(1) normally, except for  
cases such as DS1/E1 over AAL1/ATM where  
false(2) is appropriate

## 2.2. Usage Guidelines

### 2.2.1. Usage of ifStackTable for Routers and DSUs

The object dsx1IfIndex has been deprecated. This object previously allowed a very special proxy situation to exist for Routers and CSUs. This section now describes how to use ifStackTable to represent this relationship.

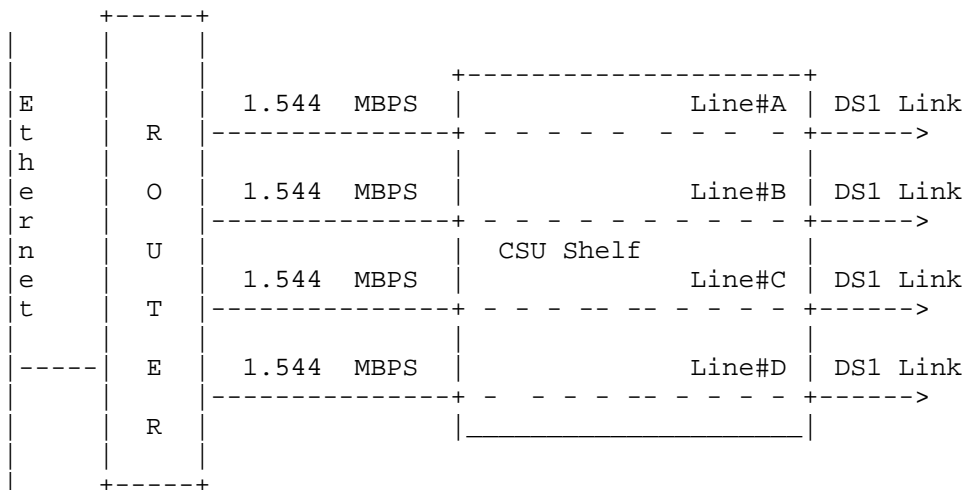
The paragraphs discussing dsx1IfIndex and dsx1LineIndex have been preserved in Appendix A for informational purposes.

The ifStackTable is used in the proxy case to represent the association between pairs of interfaces, e.g., this T1 is attached to that T1. This use is consistent with the use of the ifStackTable to show the association between various sub-layers of an interface. In both cases entire PDUs are exchanged between the interface pairs - in the case of a T1, entire T1 frames are exchanged; in the case of PPP and HDLC, entire HDLC frames are exchanged. This usage is not meant to suggest the use of the ifStackTable to represent Time Division Multiplexing (TDM) connections in general.

External&Internal interface scenario: the SNMP Agent resides on a host external from the device supporting DS1 interfaces (e.g., a router). The Agent represents both the host and the DS1 device.

## Example:

A shelf full of CSUs connected to a Router. An SNMP Agent residing on the router proxies for itself and the CSU. The router has also an Ethernet interface:



The assignment of the index values could for example be:

| ifIndex | Description        |
|---------|--------------------|
| 1       | Ethernet           |
| 2       | Line#A Router      |
| 3       | Line#B Router      |
| 4       | Line#C Router      |
| 5       | Line#D Router      |
| 6       | Line#A CSU Router  |
| 7       | Line#B CSU Router  |
| 8       | Line#C CSU Router  |
| 9       | Line#D CSU Router  |
| 10      | Line#A CSU Network |
| 11      | Line#B CSU Network |
| 12      | Line#C CSU Network |
| 13      | Line#D CSU Network |

The ifStackTable is then used to show the relationships between the various DS1 interfaces.

## ifStackTable Entries

| HigherLayer | LowerLayer |
|-------------|------------|
| 2           | 6          |
| 3           | 7          |
| 4           | 8          |
| 5           | 9          |
| 6           | 10         |
| 7           | 11         |
| 8           | 12         |
| 9           | 13         |

If the CSU shelf is managed by itself by a local SNMP Agent, the situation would be identical, except the Ethernet and the 4 router interfaces are deleted. Interfaces would also be numbered from 1 to 8.

| ifIndex | Description        |
|---------|--------------------|
| 1       | Line#A CSU Router  |
| 2       | Line#B CSU Router  |
| 3       | Line#C CSU Router  |
| 4       | Line#D CSU Router  |
| 5       | Line#A CSU Network |
| 6       | Line#B CSU Network |
| 7       | Line#C CSU Network |
| 8       | Line#D CSU Network |

## ifStackTable Entries

| HigherLayer | LowerLayer |
|-------------|------------|
| 1           | 5          |
| 2           | 6          |
| 3           | 7          |
| 4           | 8          |

## 2.2.2. Usage of ifStackTable for DS1/E1 on DS2/E2

An example is given of how DS1/E1 interfaces are stacked on DS2/E2 interfaces. It is not necessary nor is it always desirable to represent DS2 interfaces. If this is required, the following stacking should be used. All ifTypes are ds1. The DS2 is determined by examining ifSpeed or dsx1LineType.



| ifIndex | Description |
|---------|-------------|
| 1       | DS1 #1      |
| 2       | DS1 #2      |
| 3       | DS1 #3      |
| 4       | DS1 #4      |
| 5       | DS2         |

#### ifStackTable Entries

| HigherLayer | LowerLayer |
|-------------|------------|
| 1           | 5          |
| 2           | 5          |
| 3           | 5          |
| 4           | 5          |

### 2.2.3. Usage of Channelization for DS3, DS1, DS0

An example is given here to explain the channelization objects in the DS3, DS1, and DS0 MIBs to help the implementor use the objects correctly. Treatment of E3 and E1 would be similar, with the number of DS0s being different depending on the framing of the E1.

Assume that a DS3 (with ifIndex 1) is Channelized into DS1s (without DS2s). The object dsx3Channelization is set to enabledDs1. There will be 28 DS1s in the ifTable. Assume the entries in the ifTable for the DS1s are created in channel order and the ifIndex values are 2 through 29. In the DS1 MIB, there will be an entry in the dsx1ChanMappingTable for each ds1. The entries will be as follows:

#### dsx1ChanMappingTable Entries

| ifIndex | dsx1Ds1ChannelNumber | dsx1ChanMappedIfIndex |
|---------|----------------------|-----------------------|
| 1       | 1                    | 2                     |
| 1       | 2                    | 3                     |
| .....   |                      |                       |
| 1       | 28                   | 29                    |

In addition, the DS1s are channelized into DS0s. The object dsx1Channelization is set to enabledDS0 for each DS1. When this object is set to this value, 24 DS0s are created by the agent. There will be 24 DS0s in the ifTable for each DS1. If the dsx1Channelization is set to disabled, the 24 DS0s are destroyed. Assume the entries in the ifTable are created in channel order and the ifIndex values for the DS0s in the first DS1 are 30 through 53. In the DS0 MIB, there will be an entry in the dsx0ChanMappingTable for each DS0. The entries will be as follows:

## dsx0ChanMappingTable Entries

| ifIndex | dsx0Ds0ChannelNumber | dsx0ChanMappedIfIndex |
|---------|----------------------|-----------------------|
| 2       | 1                    | 30                    |
| 2       | 2                    | 31                    |
| .....   |                      |                       |
| 2       | 24                   | 53                    |

## 2.2.4. Usage of Channelization for DS3, DS2, DS1

An example is given here to explain the channelization objects in the DS3 and DS1 MIBs to help the implementor use the objects correctly.

Assume that a DS3 (with ifIndex 1) is Channelized into DS2s. The object dsx3Channelization [RFC3896] is set to enabledDs2. There will be 7 DS2s (ifType of DS1) in the ifTable. Assume the entries in the ifTable for the DS2s are created in channel order and the ifIndex values are 2 through 8. In the DS1 MIB, there will be an entry in the dsx1ChanMappingTable for each DS2. The entries will be as follows:

## dsx1ChanMappingTable Entries

| ifIndex | dsx1Ds1ChannelNumber | dsx1ChanMappedIfIndex |
|---------|----------------------|-----------------------|
| 1       | 1                    | 2                     |
| 1       | 2                    | 3                     |
| .....   |                      |                       |
| 1       | 7                    | 8                     |

In addition, the DS2s are channelized into DS1s. The object dsx1Channelization is set to enabledDS1 for each DS2. There will be 4 DS1s in the ifTable for each DS2. Assume the entries in the ifTable are created in channel order and the ifIndex values for the DS1s in the first DS2 are 9 through 12, then 13 through 16 for the second DS2, and so on. In the DS1 MIB, there will be an entry in the dsx1ChanMappingTable for each DS1. The entries will be as follows:

## dsx1ChanMappingTable Entries

| ifIndex | dsx1Ds1ChannelNumber | dsx1ChanMappedIfIndex |
|---------|----------------------|-----------------------|
| 2       | 1                    | 9                     |
| 2       | 2                    | 10                    |
| 2       | 3                    | 11                    |
| 2       | 4                    | 12                    |
| 3       | 1                    | 13                    |
| 3       | 2                    | 14                    |
| ...     |                      |                       |
| 8       | 4                    | 36                    |

### 2.2.5. Usage of Loopbacks

This section discusses the behaviour of objects related to loopbacks.

The object `dsx1LoopbackConfig` represents the desired state of loopbacks on this interface. Using this object a Manager can request:

- LineLoopback
- PayloadLoopback (if ESF framing)
- InwardLoopback
- DualLoopback (Line + Inward)
- NoLoopback

The remote end can also request loopbacks either through the FDL channel if ESF or inband if D4. The loopbacks that can be requested this way are:

- LineLoopback
- PayloadLoopback (if ESF framing)
- NoLoopback

To model the current state of loopbacks on a DS1 interface, the object `dsx1LoopbackStatus` defines which loopback is currently applied to an interface. This objects, which is a bitmap, will have bits turned on which reflect the currently active loopbacks on the interface as well as the source of those loopbacks.

The following restrictions/rules apply to loopbacks:

The far end cannot undo loopbacks set by a manager.

A manager can undo loopbacks set by the far end.

Both a line loopback and an inward loopback can be set at the same time. Only these two loopbacks can co-exist and either one may be set by the manager or the far end. A `LineLoopback` request from the far end is incremental to an existing `Inward` loopback established by a manager. When a `NoLoopback` is received from the far end in this case, the `InwardLoopback` remains in place.

### 2.3. Objectives of this MIB Module

There are numerous things that could be included in a MIB for DS1 signals: the management of multiplexors, CSUs, DSUs, and the like. The intent of this document is to facilitate the common management of all devices with DS1, E1, DS2, or E3 interfaces. As such, a design

decision was made up front to very closely align the MIB with the set of objects that can generally be read from these types devices that are currently deployed.

J2 interfaces are not supported by this MIB.

## 2.4. DS1 Terminology

The terminology used in this document to describe error conditions on a DS1 interface as monitored by a DS1 device are based on the late but not final document of what became the ANSI T1.231 standard [ANSI-T1.231]. If the definition in this document does not match the definition in the ANSI T1.231 document, the implementer should follow the definition described in this document.

### 2.4.1. Error Events

#### Bipolar Violation (BPV) Error Event

A BPV error event for an AMI-coded signal is the occurrence of a pulse of the same polarity as the previous pulse (See T1.231 Section 6.1.1.1.1). A BPV error event for a B8ZS- or HDB3-coded signal is the occurrence of a pulse of the same polarity as the previous pulse without being a part of the zero substitution code.

#### Excessive Zeroes (EXZ) Error Event

An Excessive Zeroes error event for an AMI-coded signal is the occurrence of more than fifteen contiguous zeroes (See T1.231 Section 6.1.1.1.2). For a B8ZS coded signal, the defect occurs when more than seven contiguous zeroes are detected.

#### Line Coding Violation (LCV) Error Event

A Line Coding Violation (LCV) is the occurrence of either a Bipolar Violation (BPV) or Excessive Zeroes (EXZ) Error Event. (Also known as CV-L; See T1.231 Section 6.5.1.1.)

#### Path Coding Violation (PCV) Error Event

A Path Coding Violation error event is a frame synchronization bit error in the D4 and E1-noCRC formats, or a CRC or frame synch. bit error in the ESF and E1-CRC formats. (Also known as CV-P; See T1.231 Section 6.5.2.1.)

#### Controlled Slip (CS) Error Event

A Controlled Slip is the replication or deletion of the payload bits of a DS1 frame (See T1.231 Section 6.1.1.2.3). A Controlled Slip may be performed when there is a difference

between the timing of a synchronous receiving terminal and the received signal. A Controlled Slip does not cause an Out of Frame defect.

#### 2.4.2. Performance Defects

##### Out Of Frame (OOF) Defect

An OOF defect is the occurrence of a particular density of Framing Error events (See T1.231 Section 6.1.2.2.1).

For DS1 links, an Out of Frame defect is declared when the receiver detects two or more framing errors within a 3 msec period for ESF signals and 0.75 msec for D4 signals, or two or more errors out of five or fewer consecutive framing-bits.

For E1 links, an Out Of Frame defect is declared when three consecutive frame alignment signals have been received with an error (see G.706 Section 4.1 [CCITT-G.706]).

For DS2 links, an Out of Frame defect is declared when 7 or more consecutive errored framing patterns (4 multiframe) are received. The OOF is cleared when 3 or more consecutive correct framing patterns are received.

Once an Out Of Frame Defect is declared, the framer starts searching for a correct framing pattern. The Out of Frame defect ends when the signal is in frame.

In-frame occurs when there are fewer than two frame bit errors within 3 msec period for ESF signals and 0.75 msec for D4 signals.

For E1 links, in-frame occurs when a) in frame N the frame alignment signal is correct and b) in frame N+1 the frame alignment signal is absent (i.e., bit 2 in TS0 is a one) and c) in frame N+2 the frame alignment signal is present and correct. (See G.704 Section 4.1)

##### Alarm Indication Signal (AIS) Defect

For D4 and ESF links, the 'all ones' condition is detected at a DS1 line interface upon observing an unframed signal with a one's density of at least 99.9% present for a time equal to or greater than T, where  $3 \text{ ms} \leq T \leq 75 \text{ ms}$ . The AIS is terminated upon observing a signal not meeting the one's density or the unframed signal criteria for a period equal to or greater than T (See G.775, Section 5.4).

For E1 links, the 'all-ones' condition is detected at the line interface as a string of 512 bits containing fewer than three zero bits (see O.162 [CCITT-O.162] Section 3.3.2).

For DS2 links, the DS2 AIS shall be sent from the NT1 to the user to indicate a loss of the 6,312 kbps frame capability on the network side. The DS2 AIS is defined as a bit array of 6,312 kbps in which all binary bits are set to '1'.

The DS2 AIS detection and removal shall be implemented according to ITU-T Draft Recommendation G.775 [ITU-T-G.775] Section 5.5:

- a DS2 AIS defect is detected when the incoming signal has two (2) or less ZEROs in a sequence of 3156 bits (0.5 ms).
- a DS2 AIS defect is cleared when the incoming signal has three (3) or more ZEROs in a sequence of 3156 bits (0.5 ms).

#### 2.4.3. Performance Parameters

All performance parameters are accumulated in fifteen minute intervals and up to 96 intervals (24 hours worth) are kept by an agent. Fewer than 96 intervals of data will be available if the agent has been restarted within the last 24 hours. In addition, there is a rolling 24-hour total of each performance parameter. Performance parameters continue to be collected when the interface is down.

There is no requirement for an agent to ensure fixed relationship between the start of a fifteen minute interval and any wall clock; however some agents may align the fifteen minute intervals with quarter hours.

Performance parameters are of types PerfCurrentCount, PerfIntervalCount and PerfTotalCount. These textual conventions are all Gauge32, and they are used because it is possible for these objects to decrease. Objects may decrease when Unavailable Seconds occurs across a fifteen minutes interval boundary. See Unavailable Seconds discussion later in this section.

##### Line Errored Seconds (LES)

A Line Errored Second is a second in which one or more Line Code Violation error events were detected. (Also known as ES-L; See T1.231 Section 6.5.1.2.)

##### Controlled Slip Seconds (CSS)

A Controlled Slip Second is a one-second interval containing one or more controlled slips (See T1.231 Section 6.5.2.8). This is not incremented during an Unavailable Second.

#### Errored Seconds (ES)

For ESF and E1-CRC links an Errored Second is a second with one or more Path Code Violation OR one or more Out of Frame defects OR one or more Controlled Slip events OR a detected AIS defect. (See T1.231 Section 6.5.2.2 and G.826 [ITU-T-G.826] Section B.1).

For D4 and E1-noCRC links, the presence of Bipolar Violations also triggers an Errored Second.

This is not incremented during an Unavailable Second.

#### Bursty Errored Seconds (BES)

A Bursty Errored Second (also known as Errored Second type B in T1.231 Section 6.5.2.4) is a second with fewer than 320 and more than 1 Path Coding Violation error events, no Severely Errored Frame defects and no detected incoming AIS defects. Controlled slips are not included in this parameter.

This is not incremented during an Unavailable Second. It applies to ESF signals only.

#### Severely Errored Seconds (SES)

A Severely Errored Second for ESF signals is a second with 320 or more Path Code Violation Error Events OR one or more Out of Frame defects OR a detected AIS defect (See T1.231 Section 6.5.2.5).

For E1-CRC signals, a Severely Errored Second is a second with 832 or more Path Code Violation error events OR one or more Out of Frame defects.

For E1-noCRC signals, a Severely Errored Second is a 2048 LCVs or more.

For D4 signals, a Severely Errored Second is a count of one-second intervals with Framing Error events, or an OOF defect, or 1544 LCVs or more.

Controlled slips are not included in this parameter.

This is not incremented during an Unavailable Second.

#### Severely Errored Framing Second (SEFS)

An Severely Errored Framing Second is a second with one or more Out of Frame defects OR a detected AIS defect. (Also known as SAS-P (SEF/AIS second); See T1.231 Section 6.5.2.6.)

#### Degraded Minutes

A Degraded Minute is one in which the estimated error rate exceeds  $1E-6$  but does not exceed  $1E-3$  (see G.821 [CCITT-G.821]).

Degraded Minutes are determined by collecting all of the Available Seconds, removing any Severely Errored Seconds grouping the result in 60-second long groups and counting a 60-second long group (a.k.a., minute) as degraded if the cumulative errors during the seconds present in the group exceed  $1E-6$ . Available seconds are merely those seconds which are not Unavailable as described below.

#### Unavailable Seconds (UAS)

Unavailable Seconds (UAS) are calculated by counting the number of seconds that the interface is unavailable. The DS1 interface is said to be unavailable from the onset of 10 contiguous SESs, or the onset of the condition leading to a failure (see Failure States). If the condition leading to the failure was immediately preceded by one or more contiguous SESs, then the DS1 interface unavailability starts from the onset of these SESs. Once unavailable, and if no failure is present, the DS1 interface becomes available at the onset of 10 contiguous seconds with no SESs. Once unavailable, and if a failure is present, the DS1 interface becomes available at the onset of 10 contiguous seconds with no SESs, if the failure clearing time is less than or equal to 10 seconds. If the failure clearing time is more than 10 seconds, the DS1 interface becomes available at the onset of 10 contiguous seconds with no SESs, or the onset period leading to the successful clearing condition, whichever occurs later. With respect to the DS1 error counts, all counters are incremented while the DS1 interface is deemed available. While the interface is deemed unavailable, the only count that is incremented is UASs.

Note that this definition implies that the agent cannot determine until after a ten second interval has passed whether a given one-second interval belongs to available or unavailable time. If the agent chooses to update the various performance statistics in real time then it must be prepared to retroactively reduce the ES, BES, SES, and SEFS counts by 10 and increase the UAS count by 10 when it determines that available time has been entered. It must also be prepared to adjust the PCV count and the DM count as necessary since these parameters are not accumulated during unavailable time. It must be similarly prepared to retroactively decrease the UAS count by 10 and increase the ES, BES, and DM counts as necessary upon entering available time. A special case exists when the 10 second period leading to available or unavailable time crosses a



900 second statistics window boundary, as the foregoing description implies that the ES, BES, SES, SEFS, DM, and UAS counts the PREVIOUS interval must be adjusted. In this case successive GETs of the affected dsx1IntervalSEs and dsx1IntervalUASs objects will return differing values if the first GET occurs during the first few seconds of the window.

The agent may instead choose to delay updates to the various statistics by 10 seconds in order to avoid retroactive adjustments to the counters. A way to do this is sketched in Appendix B.

In any case, a linkDown trap shall be sent only after the agent has determined for certain that the unavailable state has been entered, but the time on the trap will be that of the first UAS (i.e., 10 seconds earlier). A linkUp trap shall be handled similarly.

According to ANSI T1.231 unavailable time begins at the `_onset_` of 10 contiguous severely errored seconds -- that is, unavailable time starts with the `_first_` of the 10 contiguous SEs. Also, while an interface is deemed unavailable all counters for that interface are frozen except for the UAS count. It follows that an implementation which strictly complies with this standard must `_not_` increment any counters other than the UAS count -- even temporarily -- as a result of anything that happens during those 10 seconds. Since changes in the signal state lag the data to which they apply by 10 seconds, an ANSI-compliant implementation must pass the one-second statistics through a 10-second delay line prior to updating any counters. That can be done by performing the following steps at the end of each one second interval.

- i) Read near/far end CV counter and alarm status flags from the hardware.
- ii) Accumulate the CV counts for the preceding second and compare them to the ES and SES threshold for the layer in question. Update the signal state and shift the one-second CV counts and ES/SES flags into the 10-element delay line. Note that far-end one-second statistics are to be flagged as "absent" during any second in which there is an incoming defect at the layer in question or at any lower layer.
- iii) Update the current interval statistics using the signal state from the `_previous_` update cycle and the one-second CV counts and ES/SES flags shifted out of the 10-element delay line.

This approach is further described in Appendix B.

#### 2.4.4. Failure States

The following failure states are received, or detected failures, that are reported in the dsxlLineStatus object. When a DS1 interface would, if ever, produce the conditions leading to the failure state is described in the appropriate specification.

##### Far End Alarm Failure

The Far End Alarm failure is also known as "Yellow Alarm" in the DS1 case, "Distant Alarm" in the E1 case, and "Remote Alarm" in the DS2 case.

For D4 links, the Far End Alarm failure is declared when bit 6 of all channels has been zero for at least 335 ms and is cleared when bit 6 of at least one channel is non-zero for a period T, where T is usually less than one second and always less than 5 seconds. The Far End Alarm failure is not declared for D4 links when a Loss of Signal is detected.

For ESF links, the Far End Alarm failure is declared if the Yellow Alarm signal pattern occurs in at least seven out of ten contiguous 16-bit pattern intervals and is cleared if the Yellow Alarm signal pattern does not occur in ten contiguous 16-bit signal pattern intervals.

For E1 links, the Far End Alarm failure is declared when bit 3 of time-slot zero is received set to one on two consecutive occasions. The Far End Alarm failure is cleared when bit 3 of time-slot zero is received set to zero.

For DS2 links, if a loss of frame alignment (LOF or LOS) and/or DS2 AIS condition, is detected, the RAI signal shall be generated and transmitted to the remote side.

The Remote Alarm Indication(RAI) signal is defined on m-bits as a repetition of the 16bit sequence consisting of eight binary '1s' and eight binary '0s' in m-bits(1111111100000000). When the RAI signal is not sent (in normal operation),the HDLC flag pattern (01111110) in the m-bit is sent.

The RAI failure is detected when 16 or more consecutive RAI-patterns (1111111100000000) are received. The RAI failure is cleared when 4 or more consecutive incorrect-RAI-patterns are received.

##### Alarm Indication Signal (AIS) Failure

The Alarm Indication Signal failure is declared when an AIS defect is detected at the input and the AIS defect still exists

after the Loss Of Frame failure (which is caused by the unframed nature of the 'all-ones' signal) is declared. The AIS failure is cleared when the Loss Of Frame failure is cleared. (See T1.231 Section 6.2.1.2.1)

An AIS defect at a 6312 kbit/s (G.704) interface is detected when the incoming signal has two {2} or less ZEROs in a sequence of 3156 bits (0.5ms). The AIS signal defect is cleared when the incoming signal has three {3} or more ZEROs in a sequence of 3156 bits (0.5ms).

#### Loss Of Frame Failure

For DS1 links, the Loss Of Frame failure is declared when an OOF or LOS defect has persisted for T seconds, where  $2 \leq T \leq 10$ . The Loss Of Frame failure is cleared when there have been no OOF or LOS defects during a period T where  $0 \leq T \leq 20$ . Many systems will perform "hit integration" within the period T before declaring or clearing the failure e.g., see TR 62411 [AT&T-TR-62411].

For E1 links, the Loss Of Frame Failure is declared when an OOF defect is detected.

#### Loss Of Signal Failure

For DS1, the Loss Of Signal failure is declared upon observing 175 +/- 75 contiguous pulse positions with no pulses of either positive or negative polarity. The LOS failure is cleared upon observing an average pulse density of at least 12.5% over a period of 175 +/- 75 contiguous pulse positions starting with the receipt of a pulse.

For E1 links, the Loss Of Signal failure is declared when greater than 10 consecutive zeroes are detected (see 0.162 Section 3.4.4).

A LOS defect at 6312kbit/s interfaces is detected when the incoming signal has "no transitions", i.e., when the signal level is less than or equal to a signal level of 35dB below nominal, for N consecutive pulse intervals, where  $10 \leq N \leq 255$ .

The LOS defect is cleared when the incoming signal has "transitions", i.e., when the signal level is greater than or equal to a signal level of 9dB below nominal, for N consecutive pulse intervals, where  $10 \leq N \leq 255$ .

A signal with "transitions" corresponds to a G.703 compliant signal.

#### Loopback Pseudo-Failure

The Loopback Pseudo-Failure is declared when the near end equipment has placed a loopback (of any kind) on the DS1. This allows a management entity to determine from one object whether the DS1 can be considered to be in service or not (from the point of view of the near end equipment).

#### TS16 Alarm Indication Signal Failure

For E1 links, the TS16 Alarm Indication Signal failure is declared when time-slot 16 is received as all ones for all frames of two consecutive multiframes (see G.732 Section 4.2.6). This condition is never declared for DS1.

#### Loss Of MultiFrame Failure

The Loss Of MultiFrame failure is declared when two consecutive multiframe alignment signals (bits 4 through 7 of TS16 of frame 0) have been received with an error. The Loss Of Multiframe failure is cleared when the first correct multiframe alignment signal is received. The Loss Of Multiframe failure can only be declared for E1 links operating with G.732 [CCITT-G.732] framing (sometimes called "Channel Associated Signalling" mode).

#### Far End Loss Of Multiframe Failure

The Far End Loss Of Multiframe failure is declared when bit 2 of TS16 of frame 0 is received set to one on two consecutive occasions. The Far End Loss Of Multiframe failure is cleared when bit 2 of TS16 of frame 0 is received set to zero. The Far End Loss Of Multiframe failure can only be declared for E1 links operating in "Channel Associated Signalling" mode (See G.732).

#### DS2 Payload AIS Failure

The DS2 Payload AIS is detected when the incoming signal of the 6,312 kbps frame payload (time-slots 1 through 96) has 2 or less 0's in a sequence of 3072 bits (0.5ms). The DS2 Payload AIS is cleared when the incoming signal of the 6,312 kbps frame payload has 3 or more 0's in a sequence of 3072 bits (0.5 ms).

#### DS2 Performance Threshold

DS2 Performance Threshold Failure monitors equipment performance and is based on the CRC (Cyclic Redundancy Check) Procedure defined in G.704.

The DS2 Performance Threshold Failure is detected when the bit error ratio exceeds  $10^{-4}$  (Performance Threshold), and the DS2 Performance Threshold Failure shall be cleared when the bit error ratio decreased to less than  $10^{-6}$ .

## 2.4.5. Other Terms

## Circuit Identifier

This is a character string specified by the circuit vendor, and is useful when communicating with the vendor during the troubleshooting process (see M.1400 [ITU-T-M.1400] for additional information).

## Proxy

In this document, the word proxy is meant to indicate an application which receives SNMP messages and replies to them on behalf of the devices which implement the actual DS1/E1 interfaces. The proxy may have already collected the information about the DS1/E1 interfaces into its local database and may not necessarily forward the requests to the actual DS1/E1 interface. It is expected in such an application that there are periods of time where the proxy is not communicating with the DS1/E1 interfaces. In these instances the proxy will not necessarily have up-to-date configuration information and will most likely have missed the collection of some statistics data. Missed statistics data collection will result in invalid data in the interval table.

## 3. Object Definitions

```
DS1-MIB DEFINITIONS ::= BEGIN
```

## IMPORTS

```
MODULE-IDENTITY, OBJECT-TYPE,
NOTIFICATION-TYPE, transmission
    FROM SNMPv2-SMI                -- [RFC2578]
DisplayString, TimeStamp, TruthValue
    FROM SNMPv2-TC                -- [RFC2579]
MODULE-COMPLIANCE, OBJECT-GROUP,
NOTIFICATION-GROUP
    FROM SNMPv2-CONF              -- [RFC2580]
InterfaceIndex, ifIndex
    FROM IF-MIB                   -- [RFC2863]
PerfCurrentCount, PerfIntervalCount,
PerfTotalCount
    FROM PerfHist-TC-MIB;        -- [RFC3593]
```

## ds1 MODULE-IDENTITY

```
LAST-UPDATED "200409090000Z" -- September 09, 2004
ORGANIZATION "IETF ATOM MIB Working Group"
CONTACT-INFO
    "WG charter:
    http://www.ietf.org/html.charters/atommib-charter.html"
```

## Mailing Lists:

General Discussion: [atommib@research.telcordia.com](mailto:atommib@research.telcordia.com)  
To Subscribe: [atommib-request@research.telcordia.com](mailto:atommib-request@research.telcordia.com)

Editor: Orly Nicklass

Postal: RAD Data Communications, Ltd.  
Ziv Tower, 24 Roul Walenberg  
Tel Aviv, Israel, 69719

Tel: +9723 765 9969

E-mail: [orly\\_n@rad.com](mailto:orly_n@rad.com)"

## DESCRIPTION

"The MIB module to describe DS1, E1, DS2, and E2 interfaces objects.

Copyright (c) The Internet Society (2004). This version of this MIB module is part of RFC 3895; see the RFC itself for full legal notices."

REVISION "200409090000Z" -- September 09, 2004

## DESCRIPTION

"The RFC 3895 version of this MIB module. The key changes made to this MIB module since its publication in RFC 2495 are as follows:

- (1) The dsx1FracIfIndex SYNTAX matches the description range.
- (2) A value was added to dsx1TransmitClockSource.
- (3) Values were added to dsx1LineType.
- (4) Two objects were added, dsx1LineMode and dsx1LineBuildOut to better express transceiver mode and LineBuildOut for T1.
- (5) Reference was added to Circuit Identifier object.
- (6) Align the DESCRIPTION clauses of few statistic objects with the near end definition, the far end definition and with RFC 3593.
- (7) Changes in Compliance Statements to include new objects.
- (8) A typographical error in dsx2E2 was fixed, new name is dsx1E2."

REVISION "199808011830Z"

## DESCRIPTION

"The RFC 2495 version of this MIB module. The key changes made to this MIB module since its publication in RFC 1406 are as follows:

- (1) The Fractional Table has been deprecated.
- (2) This document uses SMIV2.
- (3) Usage is given for ifTable and ifXTable.
- (4) Example usage of ifStackTable is included.
- (5) dsx1IfIndex has been deprecated.

- (6) Support for DS2 and E2 have been added.
- (7) Additional lineTypes for DS2, E2, and unframed E1 were added.
- (8) The definition of valid intervals has been clarified for the case where the agent proxied for other devices. In particular, the treatment of missing intervals has been clarified.
- (9) An inward loopback has been added.
- (10) Additional lineStatus bits have been added for Near End in Unavailable Signal State, Carrier Equipment Out of Service, DS2 Payload AIS, and DS2 Performance Threshold.
- (11) A read-write line Length object has been added.
- (12) Signal mode of other has been added.
- (13) Added a lineStatus last change, trap and enabler.
- (14) The el(19) ifType has been obsoleted so this MIB does not list it as a supported ifType.
- (15) Textual Conventions for statistics objects have been used.
- (16) A new object, dsxlLoopbackStatus has been introduced to reflect the loopbacks established on a DS1 interface and the source to the requests. dsxlLoopbackConfig continues to be the desired loopback state while dsxlLoopbackStatus reflects the actual state.
- (17) A dual loopback has been added to allow the setting of an inward loopback and a line loopback at the same time.
- (18) An object indicating which channel to use within a parent object (i.e., DS3) has been added.
- (19) An object has been added to indicate whether or not this DS1/E1 is channelized.
- (20) Line coding type of B6ZS has been added for DS2"

REVISION "199301252028Z"

DESCRIPTION

"Initial version, published as RFC 1406."

::= { transmission 18 }

-- note that this subsumes cept (19) and g703at2mb (67)  
-- there is no separate CEPT or G703AT2MB MIB

-- The DS1 Near End Group

-- The DS1 Near End Group consists of five tables:

-- DS1 Configuration  
-- DS1 Current  
-- DS1 Interval  
-- DS1 Total  
-- DS1 Channel Table

-- The DS1 Configuration Table

```
dsx1ConfigTable OBJECT-TYPE
    SYNTAX SEQUENCE OF Dsx1ConfigEntry
    MAX-ACCESS not-accessible
    STATUS current
    DESCRIPTION
        "The DS1 Configuration table."
    ::= { ds1 6 }
```

```
dsx1ConfigEntry OBJECT-TYPE
    SYNTAX Dsx1ConfigEntry
    MAX-ACCESS not-accessible
    STATUS current
    DESCRIPTION
        "An entry in the DS1 Configuration table."
    INDEX { dsx1LineIndex }
    ::= { dsx1ConfigTable 1 }
```

```
Dsx1ConfigEntry ::=
    SEQUENCE {
        dsx1LineIndex                InterfaceIndex,
        dsx1IfIndex                  InterfaceIndex,
        dsx1TimeElapsed              INTEGER,
        dsx1ValidIntervals           INTEGER,
        dsx1LineType                 INTEGER,
        dsx1LineCoding               INTEGER,
        dsx1SendCode                 INTEGER,
        dsx1CircuitIdentifier         DisplayString,
        dsx1LoopbackConfig           INTEGER,
        dsx1LineStatus               INTEGER,
        dsx1SignalMode               INTEGER,
        dsx1TransmitClockSource      INTEGER,
        dsx1Fdl                      INTEGER,
        dsx1InvalidIntervals         INTEGER,
        dsx1LineLength               INTEGER,
        dsx1LineStatusLastChange     TimeStamp,
        dsx1LineStatusChangeTrapEnable INTEGER,
        dsx1LoopbackStatus           INTEGER,
        dsx1Ds1ChannelNumber         INTEGER,
        dsx1Channelization           INTEGER,
        dsx1LineMode                 INTEGER,
        dsx1LineBuildOut             INTEGER
    }
```

```
dsx1LineIndex OBJECT-TYPE
    SYNTAX InterfaceIndex
    MAX-ACCESS read-only -- read-only since originally an
```



```

-- SMIV1 index

STATUS current
DESCRIPTION
    "This object should be made equal to ifIndex.  The
    next paragraph describes its previous usage.
    Making the object equal to ifIndex allows proper
    use of ifStackTable and ds0/ds0bundle mibs.

    Previously, this object is the identifier of a DS1
    Interface on a managed device.  If there is an
    ifEntry that is directly associated with this and
    only this DS1 interface, it should have the same
    value as ifIndex.  Otherwise, number the
    dsx1LineIndices with an unique identifier
    following the rules of choosing a number that is
    greater than ifNumber and numbering the inside
    interfaces (e.g., equipment side) with even
    numbers and outside interfaces (e.g., network side)
    with odd numbers."
 ::= { dsx1ConfigEntry 1 }

dsx1IfIndex OBJECT-TYPE
    SYNTAX InterfaceIndex
    MAX-ACCESS read-only
    STATUS deprecated
    DESCRIPTION
        "This value for this object is equal to the value
        of ifIndex from the Interfaces table of MIB II
        (RFC 1213)."
```

```
 ::= { dsx1ConfigEntry 2 }
```

```
dsx1TimeElapsed OBJECT-TYPE
    SYNTAX INTEGER (0..899)
    MAX-ACCESS read-only
    STATUS current
    DESCRIPTION
        "The number of seconds that have elapsed since the
        beginning of the near end current error-measurement
        period.  If, for some reason, such as an adjustment
        in the system's time-of-day clock, the current interval
        exceeds the maximum value, the agent will return the
        maximum value."
```

```
 ::= { dsx1ConfigEntry 3 }
```

```
dsx1ValidIntervals OBJECT-TYPE
    SYNTAX INTEGER (0..96)
    MAX-ACCESS read-only
    STATUS current
```

## DESCRIPTION

"The number of previous near end intervals for which data was collected. The value will be 96 unless the interface was brought online within the last 24 hours, in which case the value will be the number of complete 15 minute near end intervals since the interface has been online. In the case where the agent is a proxy, it is possible that some intervals are unavailable. In this case, this interval is the maximum interval number for which data is available."

```
::= { dsx1ConfigEntry 4 }
```

```
dsx1LineType OBJECT-TYPE
```

```
SYNTAX INTEGER {
    other(1),
    dsx1ESF(2),
    dsx1D4(3),
    dsx1E1(4),
    dsx1E1CRC(5),
    dsx1E1MF(6),
    dsx1E1CRCMF(7),
    dsx1Unframed(8),
    dsx1E1Unframed(9),
    dsx1DS2M12(10),
    dsx1E2(11),
    dsx1E1Q50(12),
    dsx1E1Q50CRC(13)
}
```

```
MAX-ACCESS read-write
```

```
STATUS current
```

## DESCRIPTION

"This variable indicates the variety of DS1 Line implementing this circuit. The type of circuit affects the number of bits per second that the circuit can reasonably carry, as well as the interpretation of the usage and error statistics. The values, in sequence, describe:

| TITLE:     | SPECIFICATION:                           |
|------------|--|
| dsx1ESF    | Extended SuperFrame DS1<br>(T1.107)      |
| dsx1D4     | AT&T D4 format DS1 (T1.107)              |
| dsx1E1     | ITU-T Recommendation G.704<br>(Table 4a) |
| dsx1E1-CRC | ITU-T Recommendation G.704<br>(Table 4b) |
| dsxE1-MF   | G.704 (Table 4a) with TS16               |

```

                                multiframing enabled
dsx1E1-CRC-MF  G.704 (Table 4b) with TS16
                                multiframing enabled
dsx1Unframed  DS1 with No Framing
dsx1E1Unframed E1 with No Framing (G.703)
dsx1DS2M12    DS2 frame format (T1.107)
dsx1E2        E2 frame format (G.704)
dsx1E1Q50     TS16 bits 5,7,8 set to 101, [in
                                all other cases it is set
                                to 111.](ITU-T G.704,table 14)
dsx1E1Q50CRC  E1Q50 with CRC.

```

For clarification, the capacity for each E1 type is as listed below:

```

dsx1E1Unframed - E1, no framing = 32 x 64k = 2048k
dsx1E1 or dsx1E1CRC - E1, with framing,
no signalling = 31 x 64k = 1984k
dsx1E1MF or dsx1E1CRCMF - E1, with framing,
signalling = 30 x 64k = 1920k"

```

#### REFERENCE

```

"American National Standard for telecommunications -
digital hierarchy - formats specification,
ANSI-T1.107 - 1988.
CCITT Specifications Volume III, Recommendation
G.703, Physical/Electrical Characteristics
of Hierarchical Digital Interfaces, April 1991.
ITU-T-G.704: Synchronous frame structures used at
1544, 6312, 2048, 8488 and 44 736 kbit/s
Hierarchical Levels, July 1995."

```

```
 ::= { dsx1ConfigEntry 5 }
```

dsx1LineCoding OBJECT-TYPE

```

SYNTAX INTEGER {
    dsx1JBZS (1),
    dsx1B8ZS (2),
    dsx1HDB3 (3),
    dsx1ZBTSI (4),
    dsx1AMI (5),
    other(6),
    dsx1B6ZS(7)
}

```

MAX-ACCESS read-write

STATUS current

DESCRIPTION

```

"This variable describes the variety of Zero Code
Suppression used on this interface, which in turn
affects a number of its characteristics.

```

dsxlJBZS refers the Jammed Bit Zero Suppression, in which the AT&T specification of at least one pulse every 8 bit periods is literally implemented by forcing a pulse in bit 8 of each channel. Thus, only seven bits per channel, or 1.344 Mbps, is available for data.

dsxlB8ZS refers to the use of a specified pattern of normal bits and bipolar violations which are used to replace a sequence of eight zero bits.

ANSI Clear Channels may use dsxlZBTSI, or Zero Byte Time Slot Interchange.

E1 links, with or without CRC, use dsxlHDB3 or dsxlAMI.

dsxlAMI refers to a mode wherein no zero code suppression is present and the line encoding does not solve the problem directly. In this application, the higher layer must provide data which meets or exceeds the pulse density requirements, such as inverting HDLC data.

dsxlB6ZS refers to the user of a specified pattern of normal bits and bipolar violations which are used to replace a sequence of six zero bits. Used for DS2."

```
::= { dsxlConfigEntry 6 }
```

```
dsxlSendCode OBJECT-TYPE
```

```
SYNTAX INTEGER {
    dsxlSendNoCode(1),
    dsxlSendLineCode(2),
    dsxlSendPayloadCode(3),
    dsxlSendResetCode(4),
    dsxlSendQRS(5),
    dsxlSend511Pattern(6),
    dsxlSend3in24Pattern(7),
    dsxlSendOtherTestPattern(8)
}
```

```
MAX-ACCESS read-write
```

```
STATUS current
```

```
DESCRIPTION
```

```
"This variable indicates what type of code is
being sent across the DS1 interface by the device.
Setting this variable causes the interface to send
the code requested. The values mean:
```

```
dsx1SendNoCode
    sending looped or normal data

dsx1SendLineCode
    sending a request for a line loopback

dsx1SendPayloadCode
    sending a request for a payload loopback

dsx1SendResetCode
    sending a loopback termination request

dsx1SendQRS
    sending a Quasi-Random Signal (QRS) test
    pattern

dsx1Send511Pattern
    sending a 511 bit fixed test pattern

dsx1Send3in24Pattern
    sending a fixed test pattern of 3 bits set
    in 24

dsx1SendOtherTestPattern
    sending a test pattern other than those
    described by this object"
 ::= { dsx1ConfigEntry 7 }

dsx1CircuitIdentifier OBJECT-TYPE
    SYNTAX DisplayString (SIZE (0..255))
    MAX-ACCESS read-write
    STATUS current
    DESCRIPTION
        "This variable contains the transmission vendor's
        circuit identifier, for the purpose of
        facilitating troubleshooting."
    REFERENCE "ITU-T M.1400"
    ::= { dsx1ConfigEntry 8 }

dsx1LoopbackConfig OBJECT-TYPE
    SYNTAX INTEGER {
        dsx1NoLoop(1),
        dsx1PayloadLoop(2),
        dsx1LineLoop(3),
        dsx1OtherLoop(4),
        dsx1InwardLoop(5),
        dsx1DualLoop(6)
    }
```

MAX-ACCESS read-write

STATUS current

DESCRIPTION

"This variable represents the desired loopback configuration of the DS1 interface. Agents supporting read/write access should return inconsistentValue in response to a requested loopback state that the interface does not support. The values mean:

dsx1NoLoop

Not in the loopback state. A device that is not capable of performing a loopback on the interface shall always return this as its value.

dsx1PayloadLoop

The received signal at this interface is looped through the device. Typically the received signal is looped back for retransmission after it has passed through the device's framing function.

dsx1LineLoop

The received signal at this interface does not go through the device (minimum penetration) but is looped back out.

dsx1OtherLoop

Loopbacks that are not defined here.

dsx1InwardLoop

The transmitted signal at this interface is looped back and received by the same interface. What is transmitted onto the line is product dependent.

dsx1DualLoop

Both dsx1LineLoop and dsx1InwardLoop will be active simultaneously."

::= { dsx1ConfigEntry 9 }

dsx1LineStatus OBJECT-TYPE

SYNTAX INTEGER (1..131071)

MAX-ACCESS read-only

STATUS current

DESCRIPTION

"This variable indicates the Line Status of the interface. It contains loopback, failure, received 'alarm' and transmitted 'alarms

information.

The dsx1LineStatus is a bit map represented as a sum, therefore, it can represent multiple failures (alarms) and a LoopbackState simultaneously.

dsx1NoAlarm must be set if and only if no other flag is set.

If the dsx1loopbackState bit is set, the loopback in effect can be determined from the dsx1loopbackConfig object. The various bit positions are:

|       |                      |                                      |
|-------|----------------------|--------------------------------------|
| 1     | dsx1NoAlarm          | No alarm present                     |
| 2     | dsx1RcvFarEndLOF     | Far end LOF (a.k.a., Yellow Alarm)   |
| 4     | dsx1XmtFarEndLOF     | Near end sending LOF Indication      |
| 8     | dsx1RcvAIS           | Far end sending AIS                  |
| 16    | dsx1XmtAIS           | Near end sending AIS                 |
| 32    | dsx1LossOfFrame      | Near end LOF (a.k.a., Red Alarm)     |
| 64    | dsx1LossOfSignal     | Near end Loss Of Signal              |
| 128   | dsx1LoopbackState    | Near end is looped                   |
| 256   | dsx1T16AIS           | E1 TS16 AIS                          |
| 512   | dsx1RcvFarEndLOMF    | Far End Sending TS16 LOMF            |
| 1024  | dsx1XmtFarEndLOMF    | Near End Sending TS16 LOMF           |
| 2048  | dsx1RcvTestCode      | Near End detects a test code         |
| 4096  | dsx1OtherFailure     | any line status not defined here     |
| 8192  | dsx1UnavailSigState  | Near End in Unavailable Signal State |
| 16384 | dsx1NetEquipOOS      | Carrier Equipment Out of Service     |
| 32768 | dsx1RcvPayloadAIS    | DS2 Payload AIS                      |
| 65536 | dsx1Ds2PerfThreshold | DS2 Performance Threshold Exceeded"  |

::= { dsx1ConfigEntry 10 }

dsx1SignalMode OBJECT-TYPE

```
SYNTAX INTEGER {
    none (1),
    robbedBit (2),
    bitOriented (3),
    messageOriented (4),
    other (5)
}
```

MAX-ACCESS read-write

STATUS current

DESCRIPTION

"'none' indicates that no bits are reserved for signaling on this channel.

'robbedBit' indicates that DS1 Robbed Bit Signaling is in use.

'bitOriented' indicates that E1 Channel Associated Signaling is in use.

'messageOriented' indicates that Common Channel Signaling is in use either on channel 16 of an E1 link or channel 24 of a DS1."  
 ::= { dsx1ConfigEntry 11 }

dsx1TransmitClockSource OBJECT-TYPE

SYNTAX INTEGER {  
 loopTiming(1),  
 localTiming(2),  
 throughTiming(3),  
 adaptive (4)  
}

MAX-ACCESS read-write

STATUS current

DESCRIPTION

"The source of Transmit Clock.

'loopTiming' indicates that the recovered receive clock is used as the transmit clock.

'localTiming' indicates that a local clock source is used or when an external clock is attached to the box containing the interface.

'throughTiming' indicates that recovered receive clock from another interface is used as the transmit clock.

'adaptive' indicates that the clock is recovered based on the data flow and not based on the physical layer"

::= { dsx1ConfigEntry 12 }

dsx1Fdl OBJECT-TYPE

SYNTAX INTEGER (1..15)

MAX-ACCESS read-write

STATUS current

DESCRIPTION

"This bitmap describes the use of the facilities data link, and is the sum of the capabilities. Set any bits that are appropriate:

other(1),



```

dsxlAnsiT1403(2),
dsxlAtt54016(4),
dsxlFdlNone(8)

```

'other' indicates that a protocol other than one following is used.

'dsxlAnsiT1403' refers to the FDL exchange recommended by ANSI.

'dsxlAtt54016' refers to ESF FDL exchanges.

'dsxlFdlNone' indicates that the device does not use the FDL."

```
 ::= { dsxlConfigEntry 13 }
```

dsxlInvalidIntervals OBJECT-TYPE

SYNTAX INTEGER (0..96)

MAX-ACCESS read-only

STATUS current

DESCRIPTION

" The number of intervals in the range from 0 to dsxlValidIntervals for which no data is available. This object will typically be zero except in cases where the data for some intervals are not available (e.g., in proxy situations)."

```
 ::= { dsxlConfigEntry 14 }
```

dsxlLineLength OBJECT-TYPE

SYNTAX INTEGER (0..64000)

UNITS "meters"

MAX-ACCESS read-write

STATUS current

DESCRIPTION

"The length of the ds1 line in meters. This objects provides information for line build out circuitry. This object is only useful if the interface has configurable line build out circuitry."

```
 ::= { dsxlConfigEntry 15 }
```

dsxlLineStatusLastChange OBJECT-TYPE

SYNTAX TimeStamp

MAX-ACCESS read-only

STATUS current

DESCRIPTION

"The value of MIB II's sysUpTime object at the time this DS1 entered its current line status

state. If the current state was entered prior to the last re-initialization of the proxy-agent, then this object contains a zero value."  
 ::= { dsx1ConfigEntry 16 }

dsx1LineStatusChangeTrapEnable OBJECT-TYPE  
 SYNTAX INTEGER {  
     enabled(1),  
     disabled(2)  
 }  
 MAX-ACCESS read-write  
 STATUS current  
 DESCRIPTION  
     "Indicates whether dsx1LineStatusChange traps should be generated for this interface."  
 DEFVAL { disabled }  
 ::= { dsx1ConfigEntry 17 }

dsx1LoopbackStatus OBJECT-TYPE  
 SYNTAX INTEGER (1..127)  
 MAX-ACCESS read-only  
 STATUS current  
 DESCRIPTION  
     "This variable represents the current state of the loopback on the DS1 interface. It contains information about loopbacks established by a manager and remotely from the far end.  
  
     The dsx1LoopbackStatus is a bit map represented as a sum, therefore is can represent multiple loopbacks simultaneously.  
  
     The various bit positions are:  
     1 dsx1NoLoopback  
     2 dsx1NearEndPayloadLoopback  
     4 dsx1NearEndLineLoopback  
     8 dsx1NearEndOtherLoopback  
     16 dsx1NearEndInwardLoopback  
     32 dsx1FarEndPayloadLoopback  
     64 dsx1FarEndLineLoopback"  
  
 ::= { dsx1ConfigEntry 18 }

dsx1Ds1ChannelNumber OBJECT-TYPE  
 SYNTAX INTEGER (0..28)  
 MAX-ACCESS read-only  
 STATUS current  
 DESCRIPTION

"This variable represents the channel number of the DS1/E1 on its parent DS2/E2 or DS3/E3. A value of 0 indicated this DS1/E1 does not have a parent DS3/E3."

```
::= { dsx1ConfigEntry 19 }
```

```
dsx1Channelization OBJECT-TYPE
```

```
SYNTAX      INTEGER {
                disabled(1),
                enabledDs0(2),
                enabledDs1(3)
            }
```

```
MAX-ACCESS  read-write
```

```
STATUS      current
```

```
DESCRIPTION
```

"Indicates whether this ds1/e1 is channelized or unchannelized. The value of enabledDs0 indicates that this is a DS1 channelized into DS0s. The value of enabledDs1 indicated that this is a DS2 channelized into DS1s. Setting this value will cause the creation or deletion of entries in the ifTable for the DS0s that are within the DS1."

```
::= { dsx1ConfigEntry 20 }
```

```
dsx1LineMode OBJECT-TYPE
```

```
SYNTAX      INTEGER {
                csu(1),
                dsu(2)
            }
```

```
MAX-ACCESS  read-write
```

```
STATUS      current
```

```
DESCRIPTION
```

"This setting puts the T1 framer into either long haul (CSU) mode or short haul (DSU) mode."

```
::= { dsx1ConfigEntry 21 }
```

```
dsx1LineBuildOut OBJECT-TYPE
```

```
SYNTAX      INTEGER {
                notApplicable (1),
                neg75dB (2),
                neg15dB (3),
                neg225dB (4),
                zerodB (5)
            }
```

```
MAX-ACCESS  read-write
```

```
STATUS      current
```

```
DESCRIPTION
```

```

        "Attenuation setting for T1 framer in long haul
        (CSU) mode. The optional values are: -7.5dB,
        -15dB, -22.5dB and 0dB."
 ::= { dsx1ConfigEntry 22 }

-- The DS1 Current Table
dsx1CurrentTable OBJECT-TYPE
    SYNTAX SEQUENCE OF Dsx1CurrentEntry
    MAX-ACCESS not-accessible
    STATUS current
    DESCRIPTION
        "The DS1 current table contains various statistics
        being collected for the current 15 minute
        interval."
 ::= { ds1 7 }

dsx1CurrentEntry OBJECT-TYPE
    SYNTAX Dsx1CurrentEntry
    MAX-ACCESS not-accessible
    STATUS current
    DESCRIPTION
        "An entry in the DS1 Current table."
        INDEX { dsx1CurrentIndex }
        ::= { dsx1CurrentTable 1 }

Dsx1CurrentEntry ::=
    SEQUENCE {
        dsx1CurrentIndex          InterfaceIndex,
        dsx1CurrentESs            PerfCurrentCount,
        dsx1CurrentSESSs         PerfCurrentCount,
        dsx1CurrentSEFSs         PerfCurrentCount,
        dsx1CurrentUASs          PerfCurrentCount,
        dsx1CurrentCSSs          PerfCurrentCount,
        dsx1CurrentPCVs          PerfCurrentCount,
        dsx1CurrentLESSs         PerfCurrentCount,
        dsx1CurrentBESSs         PerfCurrentCount,
        dsx1CurrentDMs           PerfCurrentCount,
        dsx1CurrentLCVs          PerfCurrentCount
    }

dsx1CurrentIndex OBJECT-TYPE
    SYNTAX InterfaceIndex
    MAX-ACCESS read-only -- read-only since originally an
                        -- SMIV1 index
    STATUS current
    DESCRIPTION
        "The index value which uniquely identifies the
        DS1 interface to which this entry is applicable."

```

The interface identified by a particular value of this index is the same interface as identified by the same value as a dsx1LineIndex object instance."

::= { dsx1CurrentEntry 1 }

dsx1CurrentESSs OBJECT-TYPE

SYNTAX PerfCurrentCount

MAX-ACCESS read-only

STATUS current

DESCRIPTION

"The number of Errored Seconds."

::= { dsx1CurrentEntry 2 }

dsx1CurrentSESSs OBJECT-TYPE

SYNTAX PerfCurrentCount

MAX-ACCESS read-only

STATUS current

DESCRIPTION

"The number of Severely Errored Seconds."

::= { dsx1CurrentEntry 3 }

dsx1CurrentSEFFSs OBJECT-TYPE

SYNTAX PerfCurrentCount

MAX-ACCESS read-only

STATUS current

DESCRIPTION

"The number of Severely Errored Framing Seconds."

::= { dsx1CurrentEntry 4 }

dsx1CurrentUASSs OBJECT-TYPE

SYNTAX PerfCurrentCount

MAX-ACCESS read-only

STATUS current

DESCRIPTION

"The number of Unavailable Seconds."

::= { dsx1CurrentEntry 5 }

dsx1CurrentCSSs OBJECT-TYPE

SYNTAX PerfCurrentCount

MAX-ACCESS read-only

STATUS current

DESCRIPTION

"The number of Controlled Slip Seconds."

::= { dsx1CurrentEntry 6 }

dsx1CurrentPCVs OBJECT-TYPE

SYNTAX PerfCurrentCount

```
MAX-ACCESS read-only
STATUS current
DESCRIPTION
    "The number of Path Coding Violations."
 ::= { dsx1CurrentEntry 7 }

dsx1CurrentLESSs OBJECT-TYPE
SYNTAX PerfCurrentCount
MAX-ACCESS read-only
STATUS current
DESCRIPTION
    "The number of Line Errored Seconds."
 ::= { dsx1CurrentEntry 8 }

dsx1CurrentBESSs OBJECT-TYPE
SYNTAX PerfCurrentCount
MAX-ACCESS read-only
STATUS current
DESCRIPTION
    "The number of Bursty Errored Seconds."
 ::= { dsx1CurrentEntry 9 }

dsx1CurrentDMs OBJECT-TYPE
SYNTAX PerfCurrentCount
MAX-ACCESS read-only
STATUS current
DESCRIPTION
    "The number of Degraded Minutes."
 ::= { dsx1CurrentEntry 10 }

dsx1CurrentLCVs OBJECT-TYPE
SYNTAX PerfCurrentCount
MAX-ACCESS read-only
STATUS current
DESCRIPTION
    "The number of Line Code Violations (LCVs)."
 ::= { dsx1CurrentEntry 11 }

-- The DS1 Interval Table
dsx1IntervalTable OBJECT-TYPE
SYNTAX SEQUENCE OF Dsx1IntervalEntry
MAX-ACCESS not-accessible
STATUS current
DESCRIPTION
    "The DS1 Interval Table contains various
    statistics collected by each DS1 Interface over
    the previous 24 hours of operation.  The past 24
    hours are broken into 96 completed 15 minute
```

```

        intervals.  Each row in this table represents one
        such interval (identified by dsxlIntervalNumber)
        for one specific instance (identified by
        dsxlIntervalIndex).
 ::= { ds1 8 }

dsxlIntervalEntry OBJECT-TYPE
    SYNTAX DsxlIntervalEntry
    MAX-ACCESS not-accessible
    STATUS current
    DESCRIPTION
        "An entry in the DS1 Interval table."
    INDEX { dsxlIntervalIndex, dsxlIntervalNumber }
 ::= { dsxlIntervalTable 1 }

DsxlIntervalEntry ::=
    SEQUENCE {
        dsxlIntervalIndex          InterfaceIndex,
        dsxlIntervalNumber        INTEGER,
        dsxlIntervalESSs          PerfIntervalCount,
        dsxlIntervalSESSs        PerfIntervalCount,
        dsxlIntervalSEFSs        PerfIntervalCount,
        dsxlIntervalUASSs        PerfIntervalCount,
        dsxlIntervalCSSs         PerfIntervalCount,
        dsxlIntervalPCVs         PerfIntervalCount,
        dsxlIntervalLESSs        PerfIntervalCount,
        dsxlIntervalBESSs        PerfIntervalCount,
        dsxlIntervalDMs          PerfIntervalCount,
        dsxlIntervalLCVs         PerfIntervalCount,
        dsxlIntervalValidData     TruthValue
    }

dsxlIntervalIndex OBJECT-TYPE
    SYNTAX InterfaceIndex
    MAX-ACCESS read-only -- read-only since originally an
                        -- SMIV1 index
    STATUS current
    DESCRIPTION
        "The index value which uniquely identifies the DS1
        interface to which this entry is applicable.  The
        interface identified by a particular value of this
        index is the same interface as identified by the
        same value as a dsxlLineIndex object instance."
 ::= { dsxlIntervalEntry 1 }

dsxlIntervalNumber OBJECT-TYPE
    SYNTAX INTEGER (1..96)
    MAX-ACCESS read-only -- read-only since originally an

```

```

-- SMIV1 index
STATUS current
DESCRIPTION
    "A number between 1 and 96, where 1 is the most
    recently completed 15 minute interval and 96 is
    the 15 minutes interval completed 23 hours and 45
    minutes prior to interval 1."
 ::= { dsx1IntervalEntry 2 }

dsx1IntervalESSs OBJECT-TYPE
SYNTAX PerfIntervalCount
MAX-ACCESS read-only
STATUS current
DESCRIPTION
    "The number of Errored Seconds."
 ::= { dsx1IntervalEntry 3 }

dsx1IntervalSESSs OBJECT-TYPE
SYNTAX PerfIntervalCount
MAX-ACCESS read-only
STATUS current
DESCRIPTION
    "The number of Severely Errored Seconds."
 ::= { dsx1IntervalEntry 4 }

dsx1IntervalSEFSSs OBJECT-TYPE
SYNTAX PerfIntervalCount
MAX-ACCESS read-only
STATUS current
DESCRIPTION
    "The number of Severely Errored Framing Seconds."
 ::= { dsx1IntervalEntry 5 }

dsx1IntervalUASSs OBJECT-TYPE
SYNTAX PerfIntervalCount
MAX-ACCESS read-only
STATUS current
DESCRIPTION
    "The number of Unavailable Seconds. This object
    may decrease if the occurrence of unavailable
    seconds occurs across an interval boundary."
 ::= { dsx1IntervalEntry 6 }

dsx1IntervalCSSSs OBJECT-TYPE
SYNTAX PerfIntervalCount
MAX-ACCESS read-only
STATUS current
DESCRIPTION
```



```
        "The number of Controlled Slip Seconds."
 ::= { dsx1IntervalEntry 7 }

dsx1IntervalPCVs OBJECT-TYPE
    SYNTAX PerfIntervalCount
    MAX-ACCESS read-only
    STATUS current
    DESCRIPTION
        "The number of Path Coding Violations."
 ::= { dsx1IntervalEntry 8 }

dsx1IntervalLESSs OBJECT-TYPE
    SYNTAX PerfIntervalCount
    MAX-ACCESS read-only
    STATUS current
    DESCRIPTION
        "The number of Line Errored Seconds."
 ::= { dsx1IntervalEntry 9 }

dsx1IntervalBESs OBJECT-TYPE
    SYNTAX PerfIntervalCount
    MAX-ACCESS read-only
    STATUS current
    DESCRIPTION
        "The number of Bursty Errored Seconds."
 ::= { dsx1IntervalEntry 10 }

dsx1IntervalDMs OBJECT-TYPE
    SYNTAX PerfIntervalCount
    MAX-ACCESS read-only
    STATUS current
    DESCRIPTION
        "The number of Degraded Minutes."
 ::= { dsx1IntervalEntry 11 }

dsx1IntervalLCVs OBJECT-TYPE
    SYNTAX PerfIntervalCount
    MAX-ACCESS read-only
    STATUS current
    DESCRIPTION
        "The number of Line Code Violations."
 ::= { dsx1IntervalEntry 12 }

dsx1IntervalValidData OBJECT-TYPE
    SYNTAX TruthValue
    MAX-ACCESS read-only
    STATUS current
    DESCRIPTION
```

```

        "This variable indicates if the data for this
        interval is valid."
 ::= { dsx1IntervalEntry 13 }

-- The DS1 Total Table
dsx1TotalTable OBJECT-TYPE
    SYNTAX SEQUENCE OF Dsx1TotalEntry
    MAX-ACCESS not-accessible
    STATUS current
    DESCRIPTION
        "The DS1 Total Table contains the cumulative sum
        of the various statistics for the 24 hour period
        preceding the current interval."
 ::= { ds1 9 }

dsx1TotalEntry OBJECT-TYPE
    SYNTAX Dsx1TotalEntry
    MAX-ACCESS not-accessible
    STATUS current
    DESCRIPTION
        "An entry in the DS1 Total table."
    INDEX { dsx1TotalIndex }
 ::= { dsx1TotalTable 1 }

Dsx1TotalEntry ::=
    SEQUENCE {
        dsx1TotalIndex          InterfaceIndex,
        dsx1TotalESSs           PerfTotalCount,
        dsx1TotalSESSs          PerfTotalCount,
        dsx1TotalSEFSSs         PerfTotalCount,
        dsx1TotalUASSs          PerfTotalCount,
        dsx1TotalCSSs           PerfTotalCount,
        dsx1TotalPCVs           PerfTotalCount,
        dsx1TotalLESSs          PerfTotalCount,
        dsx1TotalBESSs          PerfTotalCount,
        dsx1TotalDMs            PerfTotalCount,
        dsx1TotalLCVs           PerfTotalCount
    }

dsx1TotalIndex OBJECT-TYPE
    SYNTAX InterfaceIndex
    MAX-ACCESS read-only -- read-only since originally an
                        -- SMIV1 index
    STATUS current
    DESCRIPTION
        "The index value which uniquely identifies the DS1
        interface to which this entry is applicable. The
        interface identified by a particular value of this

```

```
        index is the same interface as identified by the
        same value as a dsx1LineIndex object instance."
 ::= { dsx1TotalEntry 1 }

dsx1TotalESs OBJECT-TYPE
    SYNTAX PerfTotalCount
    MAX-ACCESS read-only
    STATUS current
    DESCRIPTION
        "The sum of Errored Seconds encountered by a DS1
        interface in the previous 24 hour interval.
        Invalid 15 minute intervals count as 0."
 ::= { dsx1TotalEntry 2 }

dsx1TotalSESSs OBJECT-TYPE
    SYNTAX PerfTotalCount
    MAX-ACCESS read-only
    STATUS current
    DESCRIPTION
        "The number of Severely Errored Seconds
        encountered by a DS1 interface in the previous 24
        hour interval. Invalid 15 minute intervals count
        as 0."
 ::= { dsx1TotalEntry 3 }

dsx1TotalSEFFSs OBJECT-TYPE
    SYNTAX PerfTotalCount
    MAX-ACCESS read-only
    STATUS current
    DESCRIPTION
        "The number of Severely Errored Framing Seconds
        encountered by a DS1 interface in the previous 24
        hour interval. Invalid 15 minute intervals count
        as 0."
 ::= { dsx1TotalEntry 4 }

dsx1TotalUASs OBJECT-TYPE
    SYNTAX PerfTotalCount
    MAX-ACCESS read-only
    STATUS current
    DESCRIPTION
        "The number of Unavailable Seconds encountered by
        a DS1 interface in the previous 24 hour interval.
        Invalid 15 minute intervals count as 0."
 ::= { dsx1TotalEntry 5 }

dsx1TotalCSSs OBJECT-TYPE
    SYNTAX PerfTotalCount
```

```
MAX-ACCESS read-only
STATUS current
DESCRIPTION
    "The number of Controlled Slip Seconds encountered
    by a DS1 interface in the previous 24 hour
    interval. Invalid 15 minute intervals count as
    0."
 ::= { dsx1TotalEntry 6 }

dsx1TotalPCVs OBJECT-TYPE
SYNTAX PerfTotalCount
MAX-ACCESS read-only
STATUS current
DESCRIPTION
    "The number of Path Coding Violations encountered
    by a DS1 interface in the previous 24 hour
    interval. Invalid 15 minute intervals count as
    0."
 ::= { dsx1TotalEntry 7 }

dsx1TotalLESSs OBJECT-TYPE
SYNTAX PerfTotalCount
MAX-ACCESS read-only
STATUS current
DESCRIPTION
    "The number of Line Errored Seconds encountered by
    a DS1 interface in the previous 24 hour interval.
    Invalid 15 minute intervals count as 0."
 ::= { dsx1TotalEntry 8 }

dsx1TotalBESSs OBJECT-TYPE
SYNTAX PerfTotalCount
MAX-ACCESS read-only
STATUS current
DESCRIPTION
    "The number of Bursty Errored Seconds (BESSs)
    encountered by a DS1 interface in the previous 24
    hour interval. Invalid 15 minute intervals count
    as 0."
 ::= { dsx1TotalEntry 9 }

dsx1TotalDMs OBJECT-TYPE
SYNTAX PerfTotalCount
MAX-ACCESS read-only
STATUS current
DESCRIPTION
    "The number of Degraded Minutes (DMs) encountered
    by a DS1 interface in the previous 24 hour
```

```
        interval.  Invalid 15 minute intervals count as
        0."
 ::= { dsx1TotalEntry 10 }

dsx1TotalLCVs OBJECT-TYPE
    SYNTAX PerfTotalCount
    MAX-ACCESS read-only
    STATUS current
    DESCRIPTION
        "The number of Line Code Violations (LCVs)
        encountered by a DS1 interface in the current 15
        minute interval.  Invalid 15 minute intervals
        count as 0."
 ::= { dsx1TotalEntry 11 }

-- The DS1 Channel Table
dsx1ChanMappingTable OBJECT-TYPE
    SYNTAX SEQUENCE OF Dsx1ChanMappingEntry
    MAX-ACCESS not-accessible
    STATUS current
    DESCRIPTION
        "The DS1 Channel Mapping table.  This table maps a
        DS1 channel number on a particular DS3 into an
        ifIndex.  In the presence of DS2s, this table can
        be used to map a DS2 channel number on a DS3 into
        an ifIndex, or used to map a DS1 channel number on
        a DS2 onto an ifIndex."
 ::= { ds1 16 }

dsx1ChanMappingEntry OBJECT-TYPE
    SYNTAX Dsx1ChanMappingEntry
    MAX-ACCESS not-accessible
    STATUS current
    DESCRIPTION
        "An entry in the DS1 Channel Mapping table.  There
        is an entry in this table corresponding to each
        ds1 ifEntry within any interface that is
        channelized to the individual ds1 ifEntry level.

        This table is intended to facilitate mapping from
        channelized interface / channel number to DS1
        ifEntry.  (e.g., mapping (DS3 ifIndex, DS1 Channel
        Number) -> ifIndex)

        While this table provides information that can
        also be found in the ifStackTable and
        dsx1ConfigTable, it provides this same information
        with a single table lookup, rather than by walking
```

```

        the ifStackTable to find the various constituent
        ds1 ifTable entries, and testing various
        dsx1ConfigTable entries to check for the entry
        with the applicable DS1 channel number."
INDEX   { ifIndex, dsx1Ds1ChannelNumber }
 ::= { dsx1ChanMappingTable 1 }

Dsx1ChanMappingEntry ::=
  SEQUENCE {
    dsx1ChanMappedIfIndex  InterfaceIndex
  }

dsx1ChanMappedIfIndex OBJECT-TYPE
  SYNTAX  InterfaceIndex
  MAX-ACCESS  read-only
  STATUS  current
  DESCRIPTION
    "This object indicates the ifIndex value assigned
    by the agent for the individual ds1 ifEntry that
    corresponds to the given DS1 channel number
    (specified by the INDEX element
    dsx1Ds1ChannelNumber) of the given channelized
    interface (specified by INDEX element ifIndex)."
```

```

 ::= { dsx1ChanMappingEntry 1 }

-- The DS1 Far End Current Table

dsx1FarEndCurrentTable OBJECT-TYPE
  SYNTAX  SEQUENCE OF Dsx1FarEndCurrentEntry
  MAX-ACCESS  not-accessible
  STATUS  current
  DESCRIPTION
    "The DS1 Far End Current table contains various
    statistics being collected for the current 15
    minute interval.  The statistics are collected
    from the far end messages on the Facilities Data
    Link.  The definitions are the same as described
    for the near-end information."
 ::= { ds1 10 }

dsx1FarEndCurrentEntry OBJECT-TYPE
  SYNTAX  Dsx1FarEndCurrentEntry
  MAX-ACCESS  not-accessible
  STATUS  current
  DESCRIPTION
    "An entry in the DS1 Far End Current table."
  INDEX   { dsx1FarEndCurrentIndex }
 ::= { dsx1FarEndCurrentTable 1 }
```

```

DsxlFarEndCurrentEntry ::=
    SEQUENCE {
        dsxlFarEndCurrentIndex      InterfaceIndex,
        dsxlFarEndTimeElapsed       INTEGER,
        dsxlFarEndValidIntervals    INTEGER,
        dsxlFarEndCurrentESSs       PerfCurrentCount,
        dsxlFarEndCurrentSESSs      PerfCurrentCount,
        dsxlFarEndCurrentSEFSs      PerfCurrentCount,
        dsxlFarEndCurrentUASSs      PerfCurrentCount,
        dsxlFarEndCurrentCSSs       PerfCurrentCount,
        dsxlFarEndCurrentLESSs      PerfCurrentCount,
        dsxlFarEndCurrentPCVs       PerfCurrentCount,
        dsxlFarEndCurrentBESSs      PerfCurrentCount,
        dsxlFarEndCurrentDMS        PerfCurrentCount,
        dsxlFarEndInvalidIntervals  INTEGER
    }

```

```

dsxlFarEndCurrentIndex OBJECT-TYPE
    SYNTAX      InterfaceIndex
    MAX-ACCESS  read-only -- read-only since originally an
                        -- SMIV1 index
    STATUS      current
    DESCRIPTION
        "The index value which uniquely identifies the DS1
        interface to which this entry is applicable. The
        interface identified by a particular value of this
        index is identical to the interface identified by
        the same value of dsxlLineIndex."
    ::= { dsxlFarEndCurrentEntry 1 }

```

```

dsxlFarEndTimeElapsed OBJECT-TYPE
    SYNTAX      INTEGER (0..899)
    MAX-ACCESS  read-only
    STATUS      current
    DESCRIPTION
        "The number of seconds that have elapsed since the
        beginning of the far end current error-measurement
        period. If, for some reason, such as an adjustment
        in the system's time-of-day clock, the current
        interval exceeds the maximum value, the agent will
        return the maximum value."
    ::= { dsxlFarEndCurrentEntry 2 }

```

```

dsxlFarEndValidIntervals OBJECT-TYPE
    SYNTAX      INTEGER (0..96)
    MAX-ACCESS  read-only
    STATUS      current
    DESCRIPTION

```

```

    "The number of previous far end intervals for
    which data was collected. The value will be 96
    unless the interface was brought online within the
    last 24 hours, in which case the value will be the
    number of complete 15 minute far end intervals
    since the interface has been online. In the case
    where the agent is a proxy, it is possible that
    some intervals are unavailable. In this case,
    this interval is the maximum interval number for
    which data is available."
 ::= { dsx1FarEndCurrentEntry 3 }

dsx1FarEndCurrentESSs OBJECT-TYPE
    SYNTAX PerfCurrentCount
    MAX-ACCESS read-only
    STATUS current
    DESCRIPTION
        "The number of Far End Errored Seconds."
    ::= { dsx1FarEndCurrentEntry 4 }

dsx1FarEndCurrentSESSs OBJECT-TYPE
    SYNTAX PerfCurrentCount
    MAX-ACCESS read-only
    STATUS current
    DESCRIPTION
        "The number of Far End Severely Errored Seconds."
    ::= { dsx1FarEndCurrentEntry 5 }

dsx1FarEndCurrentSEFSs OBJECT-TYPE
    SYNTAX PerfCurrentCount
    MAX-ACCESS read-only
    STATUS current
    DESCRIPTION
        "The number of Far End Severely Errored Framing
        Seconds."
    ::= { dsx1FarEndCurrentEntry 6 }

dsx1FarEndCurrentUASs OBJECT-TYPE
    SYNTAX PerfCurrentCount
    MAX-ACCESS read-only
    STATUS current
    DESCRIPTION
        "The number of Unavailable Seconds."
    ::= { dsx1FarEndCurrentEntry 7 }

dsx1FarEndCurrentCSSs OBJECT-TYPE
    SYNTAX PerfCurrentCount
    MAX-ACCESS read-only
```



```
STATUS current
DESCRIPTION
    "The number of Far End Controlled Slip Seconds."
 ::= { dsx1FarEndCurrentEntry 8 }

dsx1FarEndCurrentLESSs OBJECT-TYPE
SYNTAX PerfCurrentCount
MAX-ACCESS read-only
STATUS current
DESCRIPTION
    "The number of Far End Line Errored Seconds."
 ::= { dsx1FarEndCurrentEntry 9 }

dsx1FarEndCurrentPCVs OBJECT-TYPE
SYNTAX PerfCurrentCount
MAX-ACCESS read-only
STATUS current
DESCRIPTION
    "The number of Far End Path Coding Violations."
 ::= { dsx1FarEndCurrentEntry 10 }

dsx1FarEndCurrentBESs OBJECT-TYPE
SYNTAX PerfCurrentCount
MAX-ACCESS read-only
STATUS current
DESCRIPTION
    "The number of Far End Bursty Errored Seconds."
 ::= { dsx1FarEndCurrentEntry 11 }

dsx1FarEndCurrentDMs OBJECT-TYPE
SYNTAX PerfCurrentCount
MAX-ACCESS read-only
STATUS current
DESCRIPTION
    "The number of Far End Degraded Minutes."
 ::= { dsx1FarEndCurrentEntry 12 }

dsx1FarEndInvalidIntervals OBJECT-TYPE
SYNTAX INTEGER (0..96)
MAX-ACCESS read-only
STATUS current
DESCRIPTION
    " The number of intervals in the range from 0 to
    dsx1FarEndValidIntervals for which no data is
    available. This object will typically be zero
    except in cases where the data for some intervals
    are not available (e.g., in proxy situations)."
 ::= { dsx1FarEndCurrentEntry 13 }
```

-- The DS1 Far End Interval Table

dsx1FarEndIntervalTable OBJECT-TYPE

SYNTAX SEQUENCE OF Dsx1FarEndIntervalEntry

MAX-ACCESS not-accessible

STATUS current

DESCRIPTION

"The DS1 Far End Interval Table contains various statistics collected by each DS1 interface over the previous 24 hours of operation. The past 24 hours are broken into 96 completed 15 minute intervals. Each row in this table represents one such interval (identified by dsx1FarEndIntervalNumber) for one specific instance (identified by dsx1FarEndIntervalIndex)."

::= { ds1 11 }

dsx1FarEndIntervalEntry OBJECT-TYPE

SYNTAX Dsx1FarEndIntervalEntry

MAX-ACCESS not-accessible

STATUS current

DESCRIPTION

"An entry in the DS1 Far End Interval table."

INDEX { dsx1FarEndIntervalIndex,  
dsx1FarEndIntervalNumber }

::= { dsx1FarEndIntervalTable 1 }

Dsx1FarEndIntervalEntry ::=

SEQUENCE {

|                             |                    |
|-----------------------------|--------------------|
| dsx1FarEndIntervalIndex     | InterfaceIndex,    |
| dsx1FarEndIntervalNumber    | INTEGER,           |
| dsx1FarEndIntervalESS       | PerfIntervalCount, |
| dsx1FarEndIntervalSESs      | PerfIntervalCount, |
| dsx1FarEndIntervalSEFSs     | PerfIntervalCount, |
| dsx1FarEndIntervalUASS      | PerfIntervalCount, |
| dsx1FarEndIntervalCSSs      | PerfIntervalCount, |
| dsx1FarEndIntervalLESs      | PerfIntervalCount, |
| dsx1FarEndIntervalPCVs      | PerfIntervalCount, |
| dsx1FarEndIntervalBESs      | PerfIntervalCount, |
| dsx1FarEndIntervalDMS       | PerfIntervalCount, |
| dsx1FarEndIntervalValidData | TruthValue         |

}

dsx1FarEndIntervalIndex OBJECT-TYPE

SYNTAX InterfaceIndex

MAX-ACCESS read-only -- read-only since originally an  
-- SMIV1 index

STATUS current

DESCRIPTION

"The index value which uniquely identifies the DS1 interface to which this entry is applicable. The interface identified by a particular value of this index is identical to the interface identified by the same value of dsx1LineIndex."

```
::= { dsx1FarEndIntervalEntry 1 }
```

dsx1FarEndIntervalNumber OBJECT-TYPE

SYNTAX INTEGER (1..96)

MAX-ACCESS read-only -- read-only since originally an  
-- SMIV1 index

STATUS current

DESCRIPTION

"A number between 1 and 96, where 1 is the most recently completed 15 minute interval and 96 is the 15 minutes interval completed 23 hours and 45 minutes prior to interval 1."

```
::= { dsx1FarEndIntervalEntry 2 }
```

dsx1FarEndIntervaleESs OBJECT-TYPE

SYNTAX PerfIntervalCount

MAX-ACCESS read-only

STATUS current

DESCRIPTION

"The number of Far End Errored Seconds."

```
::= { dsx1FarEndIntervalEntry 3 }
```

dsx1FarEndIntervalSESs OBJECT-TYPE

SYNTAX PerfIntervalCount

MAX-ACCESS read-only

STATUS current

DESCRIPTION

"The number of Far End Severely Errored Seconds."

```
::= { dsx1FarEndIntervalEntry 4 }
```

dsx1FarEndIntervalSEFSs OBJECT-TYPE

SYNTAX PerfIntervalCount

MAX-ACCESS read-only

STATUS current

DESCRIPTION

"The number of Far End Severely Errored Framing Seconds."

```
::= { dsx1FarEndIntervalEntry 5 }
```

dsx1FarEndIntervalUASs OBJECT-TYPE

SYNTAX PerfIntervalCount

MAX-ACCESS read-only

STATUS current

DESCRIPTION  
    "The number of Unavailable Seconds."  
 ::= { dsx1FarEndIntervalEntry 6 }

dsx1FarEndIntervalCSSs OBJECT-TYPE  
SYNTAX PerfIntervalCount  
MAX-ACCESS read-only  
STATUS current  
DESCRIPTION  
    "The number of Far End Controlled Slip Seconds."  
 ::= { dsx1FarEndIntervalEntry 7 }

dsx1FarEndIntervalLESSs OBJECT-TYPE  
SYNTAX PerfIntervalCount  
MAX-ACCESS read-only  
STATUS current  
DESCRIPTION  
    "The number of Far End Line Errored Seconds."  
 ::= { dsx1FarEndIntervalEntry 8 }

dsx1FarEndIntervalPCVs OBJECT-TYPE  
SYNTAX PerfIntervalCount  
MAX-ACCESS read-only  
STATUS current  
DESCRIPTION  
    "The number of Far End Path Coding Violations."  
 ::= { dsx1FarEndIntervalEntry 9 }

dsx1FarEndIntervalBESSs OBJECT-TYPE  
SYNTAX PerfIntervalCount  
MAX-ACCESS read-only  
STATUS current  
DESCRIPTION  
    "The number of Far End Bursty Errored Seconds."  
 ::= { dsx1FarEndIntervalEntry 10 }

dsx1FarEndIntervalDMSs OBJECT-TYPE  
SYNTAX PerfIntervalCount  
MAX-ACCESS read-only  
STATUS current  
DESCRIPTION  
    "The number of Far End Degraded Minutes."  
 ::= { dsx1FarEndIntervalEntry 11 }

dsx1FarEndIntervalValidData OBJECT-TYPE  
SYNTAX TruthValue  
MAX-ACCESS read-only  
STATUS current

## DESCRIPTION

" This variable indicates if the data for this interval is valid."

```
::= { dsx1FarEndIntervalEntry 12 }
```

-- The DS1 Far End Total Table

dsx1FarEndTotalTable OBJECT-TYPE

SYNTAX SEQUENCE OF Dsx1FarEndTotalEntry

MAX-ACCESS not-accessible

STATUS current

DESCRIPTION

"The DS1 Far End Total Table contains the cumulative sum of the various statistics for the 24 hour period preceding the current interval."

```
::= { ds1 12 }
```

dsx1FarEndTotalEntry OBJECT-TYPE

SYNTAX Dsx1FarEndTotalEntry

MAX-ACCESS not-accessible

STATUS current

DESCRIPTION

"An entry in the DS1 Far End Total table."

INDEX { dsx1FarEndTotalIndex }

```
::= { dsx1FarEndTotalTable 1 }
```

Dsx1FarEndTotalEntry ::=

SEQUENCE {

|                      |                 |
|----------------------|-----------------|
| dsx1FarEndTotalIndex | InterfaceIndex, |
| dsx1FarEndTotalESs   | PerfTotalCount, |
| dsx1FarEndTotalSESSs | PerfTotalCount, |
| dsx1FarEndTotalSEFSs | PerfTotalCount, |
| dsx1FarEndTotalUASSs | PerfTotalCount, |
| dsx1FarEndTotalCSSs  | PerfTotalCount, |
| dsx1FarEndTotalLESSs | PerfTotalCount, |
| dsx1FarEndTotalPCVs  | PerfTotalCount, |
| dsx1FarEndTotalBESSs | PerfTotalCount, |
| dsx1FarEndTotalDMSs  | PerfTotalCount  |

}

dsx1FarEndTotalIndex OBJECT-TYPE

SYNTAX InterfaceIndex

MAX-ACCESS read-only -- read-only since originally an

-- SMIV1 index

STATUS current

DESCRIPTION

"The index value which uniquely identifies the DS1 interface to which this entry is applicable. The

```
interface identified by a particular value of this
index is identical to the interface identified by
the same value of dsx1LineIndex."
 ::= { dsx1FarEndTotalEntry 1 }

dsx1FarEndTotalESSs OBJECT-TYPE
SYNTAX PerfTotalCount
MAX-ACCESS read-only
STATUS current
DESCRIPTION
    "The number of Far End Errored Seconds encountered
    by a DS1 interface in the previous 24 hour
    interval. Invalid 15 minute intervals count as
    0."
 ::= { dsx1FarEndTotalEntry 2 }

dsx1FarEndTotalSESSs OBJECT-TYPE
SYNTAX PerfTotalCount
MAX-ACCESS read-only
STATUS current
DESCRIPTION
    "The number of Far End Severely Errored Seconds
    encountered by a DS1 interface in the previous 24
    hour interval. Invalid 15 minute intervals count
    as 0."
 ::= { dsx1FarEndTotalEntry 3 }

dsx1FarEndTotalSEFSSs OBJECT-TYPE
SYNTAX PerfTotalCount
MAX-ACCESS read-only
STATUS current
DESCRIPTION
    "The number of Far End Severely Errored Framing
    Seconds encountered by a DS1 interface in the
    previous 24 hour interval. Invalid 15 minute
    intervals count as 0."
 ::= { dsx1FarEndTotalEntry 4 }

dsx1FarEndTotalUASSs OBJECT-TYPE
SYNTAX PerfTotalCount
MAX-ACCESS read-only
STATUS current
DESCRIPTION
    "The number of Unavailable Seconds encountered by
    a DS1 interface in the previous 24 hour interval.
    Invalid 15 minute intervals count as 0."
 ::= { dsx1FarEndTotalEntry 5 }
```

```
dsx1FarEndTotalCSSs OBJECT-TYPE
    SYNTAX PerfTotalCount
    MAX-ACCESS read-only
    STATUS current
    DESCRIPTION
        "The number of Far End Controlled Slip Seconds
        encountered by a DS1 interface in the previous 24
        hour interval. Invalid 15 minute intervals count
        as 0."
    ::= { dsx1FarEndTotalEntry 6 }

dsx1FarEndTotalLESSs OBJECT-TYPE
    SYNTAX PerfTotalCount
    MAX-ACCESS read-only
    STATUS current
    DESCRIPTION
        "The number of Far End Line Errored Seconds
        encountered by a DS1 interface in the previous 24
        hour interval. Invalid 15 minute intervals count
        as 0."
    ::= { dsx1FarEndTotalEntry 7 }

dsx1FarEndTotalPCVs OBJECT-TYPE
    SYNTAX PerfTotalCount
    MAX-ACCESS read-only
    STATUS current
    DESCRIPTION
        "The number of Far End Path Coding Violations
        reported via the far end block error count
        encountered by a DS1 interface in the previous 24
        hour interval. Invalid 15 minute intervals count
        as 0."
    ::= { dsx1FarEndTotalEntry 8 }

dsx1FarEndTotalBESs OBJECT-TYPE
    SYNTAX PerfTotalCount
    MAX-ACCESS read-only
    STATUS current
    DESCRIPTION
        "The number of Bursty Errored Seconds (BESs)
        encountered by a DS1 interface in the previous 24
        hour interval. Invalid 15 minute intervals count
        as 0."
    ::= { dsx1FarEndTotalEntry 9 }

dsx1FarEndTotalDMs OBJECT-TYPE
    SYNTAX PerfTotalCount
    MAX-ACCESS read-only
```

```
STATUS current
DESCRIPTION
    "The number of Degraded Minutes (DMs) encountered
    by a DS1 interface in the previous 24 hour
    interval.  Invalid 15 minute intervals count as
    0."
 ::= { dsx1FarEndTotalEntry 10 }
```

-- The DS1 Fractional Table

```
dsx1FracTable OBJECT-TYPE
    SYNTAX SEQUENCE OF Dsx1FracEntry
    MAX-ACCESS not-accessible
    STATUS deprecated
    DESCRIPTION
        "This table is deprecated in favour of using
        ifStackTable.
```

The table was mandatory for systems dividing a DS1 into channels containing different data streams that are of local interest. Systems which are indifferent to data content, such as CSUs, need not implement it.

The DS1 fractional table identifies which DS1 channels associated with a CSU are being used to support a logical interface, i.e., an entry in the interfaces table from the Internet-standard MIB.

For example, consider an application managing a North American ISDN Primary Rate link whose division is a 384 kbit/s H1 \_B\_ Channel for Video, a second H1 for data to a primary routing peer, and 12 64 kbit/s H0 \_B\_ Channels. Consider that some subset of the H0 channels are used for voice and the remainder are available for dynamic data calls.

We count a total of 14 interfaces multiplexed onto the DS1 interface. Six DS1 channels (for the sake of the example, channels 1..6) are used for Video, six more (7..11 and 13) are used for data, and the remaining 12 are in channels 12 and 14..24.

Let us further imagine that ifIndex 2 is of type DS1 and refers to the DS1 interface, and that the interfaces layered onto it are numbered 3..16.

We might describe the allocation of channels, in



the dsx1FracTable, as follows:

```

dsx1FracIfIndex.2. 1 = 3  dsx1FracIfIndex.2.13 = 4
dsx1FracIfIndex.2. 2 = 3  dsx1FracIfIndex.2.14 = 6
dsx1FracIfIndex.2. 3 = 3  dsx1FracIfIndex.2.15 = 7
dsx1FracIfIndex.2. 4 = 3  dsx1FracIfIndex.2.16 = 8
dsx1FracIfIndex.2. 5 = 3  dsx1FracIfIndex.2.17 = 9
dsx1FracIfIndex.2. 6 = 3  dsx1FracIfIndex.2.18 = 10
dsx1FracIfIndex.2. 7 = 4  dsx1FracIfIndex.2.19 = 11
dsx1FracIfIndex.2. 8 = 4  dsx1FracIfIndex.2.20 = 12
dsx1FracIfIndex.2. 9 = 4  dsx1FracIfIndex.2.21 = 13
dsx1FracIfIndex.2.10 = 4  dsx1FracIfIndex.2.22 = 14
dsx1FracIfIndex.2.11 = 4  dsx1FracIfIndex.2.23 = 15
dsx1FracIfIndex.2.12 = 5  dsx1FracIfIndex.2.24 = 16

```

For North American (DS1) interfaces, there are 24 legal channels, numbered 1 through 24.

For G.704 interfaces, there are 31 legal channels, numbered 1 through 31. The channels (1..31) correspond directly to the equivalently numbered time-slots."

```
::= { ds1 13 }
```

```

dsx1FracEntry OBJECT-TYPE
    SYNTAX Dsx1FracEntry
    MAX-ACCESS not-accessible
    STATUS deprecated
    DESCRIPTION
        "An entry in the DS1 Fractional table."
    INDEX { dsx1FracIndex, dsx1FracNumber }
    ::= { dsx1FracTable 1 }

```

```

Dsx1FracEntry ::=
    SEQUENCE {
        dsx1FracIndex      INTEGER,
        dsx1FracNumber     INTEGER,
        dsx1FracIfIndex   INTEGER
    }

```

```

dsx1FracIndex OBJECT-TYPE
    SYNTAX INTEGER (1..'7fffffff'h)
    MAX-ACCESS read-only -- read-only since originally an
                        -- SMIV1 index
    STATUS deprecated
    DESCRIPTION
        "The index value which uniquely identifies the
         DS1 interface to which this entry is applicable
         The interface identified by a particular

```

```
value of this index is the same interface as
identified by the same value an dsx1LineIndex
object instance."
 ::= { dsx1FracEntry 1 }

dsx1FracNumber OBJECT-TYPE
    SYNTAX INTEGER (1..31)
    MAX-ACCESS read-only -- read-only since originally an
                        -- SMIV1 index
    STATUS deprecated
    DESCRIPTION
        "The channel number for this entry."
    ::= { dsx1FracEntry 2 }

dsx1FracIfIndex OBJECT-TYPE
    SYNTAX INTEGER (0..'7fffffff'h)
    MAX-ACCESS read-write
    STATUS deprecated
    DESCRIPTION
        "An index value that uniquely identifies an
        interface. The interface identified by a particular
        value of this index is the same interface
        as identified by the same value an ifIndex
        object instance. If no interface is currently using
        a channel, the value should be zero. If a
        single interface occupies more than one time
        slot, that ifIndex value will be found in multiple
        time slots."
    ::= { dsx1FracEntry 3 }

-- DS1 TRAPS

ds1Traps OBJECT IDENTIFIER ::= { ds1 15 }

dsx1LineStatusChange NOTIFICATION-TYPE
    OBJECTS { dsx1LineStatus,
              dsx1LineStatusLastChange }
    STATUS current
    DESCRIPTION
        "A dsx1LineStatusChange trap is sent when the
        value of an instance dsx1LineStatus changes. It
        can be utilized by an NMS to trigger polls. When
        the line status change results from a higher level
        line status change (i.e., ds3), then no traps for
        the ds1 are sent."
    ::= { ds1Traps 0 1 }

-- conformance information
```

```
ds1Conformance OBJECT IDENTIFIER ::= { ds1 14 }

ds1Groups      OBJECT IDENTIFIER ::= { ds1Conformance 1 }
ds1Compliances OBJECT IDENTIFIER ::= { ds1Conformance 2 }

-- compliance statements

ds1Compliance MODULE-COMPLIANCE
  STATUS deprecated
  DESCRIPTION
    "The compliance statement for T1 and E1
    interfaces."
  MODULE -- this module
    MANDATORY-GROUPS { ds1NearEndConfigGroup,
                       ds1NearEndStatisticsGroup }

    GROUP          ds1FarEndGroup
    DESCRIPTION
      "Implementation of this group is optional for all
      systems that attach to a DS1 Interface."

    GROUP          ds1NearEndOptionalConfigGroup
    DESCRIPTION
      "Implementation of this group is optional for all
      systems that attach to a DS1 Interface."

    GROUP          ds1DS2Group
    DESCRIPTION
      "Implementation of this group is mandatory for all
      systems that attach to a DS2 Interface."

    GROUP          ds1TransStatsGroup
    DESCRIPTION
      "This group is the set of statistics appropriate
      for all systems which attach to a DS1 Interface
      running transparent or unFramed lineType."

    GROUP          ds1ChanMappingGroup
    DESCRIPTION
      "This group is the set of objects for mapping a
      DS3 Channel (dsx1Ds1ChannelNumber) to ifIndex.
      Implementation of this group is mandatory for
      systems which support the channelization of DS3s
      into DS1s."

  OBJECT dsx1LineType
    SYNTAX INTEGER {
```

```
        other(1),
        dsx1ESF(2),
        dsx1D4(3),
        dsx1E1(4),
        dsx1E1CRC(5),
        dsx1E1MF(6),
        dsx1E1CRCMF(7),
        dsx1Unframed(8),
        dsx1E1Unframed(9),
        dsx1DS2M12(10),
        dsx1E2(11)
    }
MIN-ACCESS read-only
DESCRIPTION
    "The ability to set the line type is not
    required."

OBJECT dsx1LineCoding
MIN-ACCESS read-only
DESCRIPTION
    "The ability to set the line coding is not
    required."

OBJECT dsx1SendCode
MIN-ACCESS read-only
DESCRIPTION
    "The ability to set the send code is not
    required."

OBJECT dsx1LoopbackConfig
MIN-ACCESS read-only
DESCRIPTION
    "The ability to set loopbacks is not required."

OBJECT dsx1SignalMode
MIN-ACCESS read-only
DESCRIPTION
    "The ability to set the signal mode is not
    required."

OBJECT dsx1TransmitClockSource
    SYNTAX INTEGER {
        loopTiming(1),
        localTiming(2),
        throughTiming(3)
    }
MIN-ACCESS read-only
DESCRIPTION
```

"The ability to set the transmit clock source is not required."

OBJECT dsx1Fdl  
 MIN-ACCESS read-only  
 DESCRIPTION  
 "The ability to set the FDL is not required."

OBJECT dsx1LineLength  
 MIN-ACCESS read-only  
 DESCRIPTION  
 "The ability to set the line length is not required."

OBJECT dsx1Channelization  
 MIN-ACCESS read-only  
 DESCRIPTION  
 "The ability to set the channelization is not required."

::= { ds1Compliances 1 }

ds1MibT1PriCompliance MODULE-COMPLIANCE

STATUS deprecated

DESCRIPTION

"Compliance statement for using this MIB for ISDN Primary Rate interfaces on T1 lines."

MODULE

MANDATORY-GROUPS { ds1NearEndConfigGroup,  
 ds1NearEndStatisticsGroup }

OBJECT dsx1LineType

SYNTAX INTEGER {  
 dsx1ESF(2) -- Intl Spec would be G704(2)  
 -- or I.431(4)  
 }

MIN-ACCESS read-only

DESCRIPTION

"Line type for T1 ISDN Primary Rate interfaces."

OBJECT dsx1LineCoding

SYNTAX INTEGER {  
 dsx1B8ZS(2)  
 }

MIN-ACCESS read-only

DESCRIPTION

"Type of Zero Code Suppression for T1 ISDN Primary Rate interfaces."

```
OBJECT dsx1SignalMode
  SYNTAX INTEGER {
    none(1), -- if there is no signaling channel
    messageOriented(4)
  }
  MIN-ACCESS read-only
  DESCRIPTION
    "Possible signaling modes for
     T1 ISDN Primary Rate interfaces."

OBJECT dsx1TransmitClockSource
  SYNTAX INTEGER {
    loopTiming(1)
  }
  MIN-ACCESS read-only
  DESCRIPTION
    "The transmit clock is derived from
     received clock on ISDN Primary Rate
     interfaces."

OBJECT dsx1Fdl
  MIN-ACCESS read-only
  DESCRIPTION
    "Facilities Data Link usage on T1 ISDN
     Primary Rate interfaces.
     Note: Eventually dsx1Att-54016(4) is to be
     used here since the line type is ESF."

OBJECT dsx1Channelization
  MIN-ACCESS read-only
  DESCRIPTION
    "The ability to set the channelization
     is not required."
 ::= { ds1Compliances 2 }

ds1MibE1PriCompliance MODULE-COMPLIANCE
  STATUS deprecated
  DESCRIPTION
    "Compliance statement for using this MIB for ISDN
     Primary Rate interfaces on E1 lines."
  MODULE
    MANDATORY-GROUPS { ds1NearEndConfigGroup,
                       ds1NearEndStatisticsGroup }
  OBJECT dsx1LineType
    SYNTAX INTEGER {
      dsx1E1CRC(5)
    }
    MIN-ACCESS read-only
```

## DESCRIPTION

"Line type for E1 ISDN Primary Rate interfaces."

## OBJECT dsx1LineCoding

SYNTAX INTEGER {  
    dsx1HDB3(3)

}

MIN-ACCESS read-only

## DESCRIPTION

"Type of Zero Code Suppression for E1 ISDN Primary Rate interfaces."

## OBJECT dsx1SignalMode

SYNTAX INTEGER {  
    messageOriented(4)

}

MIN-ACCESS read-only

## DESCRIPTION

"Signaling on E1 ISDN Primary Rate interfaces is always message oriented."

## OBJECT dsx1TransmitClockSource

SYNTAX INTEGER {  
    loopTiming(1)

}

MIN-ACCESS read-only

## DESCRIPTION

"The transmit clock is derived from received clock on ISDN Primary Rate interfaces."

## OBJECT dsx1Fdl

MIN-ACCESS read-only

## DESCRIPTION

"Facilities Data Link usage on E1 ISDN Primary Rate interfaces.

Note: There is a 'M-Channel' in E1, using National Bit Sa4 (G704, Table 4a). It is used to implement management features between ET and NT. This is different to FDL in T1, which is used to carry control signals and performance data. In E1, control and status signals are carried using National Bits Sa5, Sa6 and A (RAI Ind.).

This indicates that only the other(1) or eventually the dsx1Fdl-none(8) bits should

be set in this object for E1 PRI."

```

OBJECT dsx1Channelization
  MIN-ACCESS read-only
  DESCRIPTION
    "The ability to set the channelization is not
    required."
 ::= { ds1Compliances 3 }

ds1Ds2Compliance MODULE-COMPLIANCE
  STATUS current
  DESCRIPTION
    "Compliance statement for using this MIB for DS2
    interfaces."
  MODULE
    MANDATORY-GROUPS { ds1DS2Group }

    OBJECT dsx1LineType
      SYNTAX INTEGER {
                                dsx1DS2M12(10),
                                dsx1E2(11)
      }
      MIN-ACCESS read-only
      DESCRIPTION
        "Line type for DS2, E2
        interfaces."

    OBJECT dsx1Channelization
      MIN-ACCESS read-only
      DESCRIPTION
        "The ability to set the channelization is not
        required."
 ::= { ds1Compliances 4 }

ds1NCompliance MODULE-COMPLIANCE
  STATUS current
  DESCRIPTION
    "The compliance statement for T1 and E1
    interfaces."
  MODULE -- this module
    MANDATORY-GROUPS { ds1NearEndConfigurationGroup,
                        ds1NearEndStatisticsGroup }

    GROUP ds1FarEndGroup
  DESCRIPTION
    "Implementation of this group is optional for all
    systems that attach to a DS1 Interface."

```



GROUP ds1NearEndOptionalTrapGroup  
DESCRIPTION  
"Implementation of this group is optional for all systems that attach to a DS1 Interface. If it is implemented then ds1NearEndOptionalConfigGroup should also be implemented."

GROUP ds1NearEndOptionalConfigGroup  
DESCRIPTION  
"Implementation of this group is recommended for all systems that attach to a DS1 Interface and implement ds1NearEndOptionalTrapGroup."

GROUP ds1DS2Group  
DESCRIPTION  
"Implementation of this group is mandatory for all systems that attach to a DS2 Interface."

GROUP ds1TransStatsGroup  
DESCRIPTION  
"This group is the set of statistics appropriate for all systems which attach to a DS1 Interface running transparent or unFramed lineType."

GROUP ds1ChanMappingGroup  
DESCRIPTION  
"This group is the set of objects for mapping a DS3 Channel (dsx1Ds1ChannelNumber) to ifIndex. Implementation of this group is mandatory for systems which support the channelization of DS3s into DS1s."

OBJECT dsx1LineType  
MIN-ACCESS read-only  
DESCRIPTION  
"The ability to set the line type is not required."

OBJECT dsx1LineCoding  
MIN-ACCESS read-only  
DESCRIPTION  
"The ability to set the line coding is not required."

OBJECT dsx1SendCode  
MIN-ACCESS read-only  
DESCRIPTION  
"The ability to set the send code is not

required."

OBJECT dsx1LoopbackConfig

MIN-ACCESS read-only

DESCRIPTION

"The ability to set loopbacks is not required."

OBJECT dsx1SignalMode

MIN-ACCESS read-only

DESCRIPTION

"The ability to set the signal mode is not required."

OBJECT dsx1TransmitClockSource

MIN-ACCESS read-only

DESCRIPTION

"The ability to set the transmit clock source is not required."

OBJECT dsx1Fdl

MIN-ACCESS read-only

DESCRIPTION

"The ability to set the FDL is not required."

OBJECT dsx1LineLength

MIN-ACCESS read-only

DESCRIPTION

"The ability to set the line length is not required."

OBJECT dsx1Channelization

MIN-ACCESS read-only

DESCRIPTION

"The ability to set the channelization is not required."

OBJECT dsx1LineMode

MIN-ACCESS read-only

DESCRIPTION

"The ability to set the Line Mode is not required."

OBJECT dsx1LineBuildOut

MIN-ACCESS read-only

DESCRIPTION

"The ability to set the Line build out is not required."

::= { ds1Compliances 5 }

```
ds1MibT1PriNCompliance MODULE-COMPLIANCE
  STATUS current
  DESCRIPTION
    "Compliance statement for using this MIB for ISDN
    Primary Rate interfaces on T1 lines."
  MODULE
    MANDATORY-GROUPS { ds1NearEndConfigurationGroup,
                        ds1NearEndStatisticsGroup }

    OBJECT dsx1LineType
      SYNTAX INTEGER {
        dsx1ESF(2) -- Intl Spec would be G704(2)
                  -- or I.431(4)
      }
      MIN-ACCESS read-only
      DESCRIPTION
        "Line type for T1 ISDN Primary Rate
        interfaces."

    OBJECT dsx1LineCoding
      SYNTAX INTEGER {
        dsx1B8ZS(2)
      }
      MIN-ACCESS read-only
      DESCRIPTION
        "Type of Zero Code Suppression for
        T1 ISDN Primary Rate interfaces."

    OBJECT dsx1SignalMode
      SYNTAX INTEGER {
        none(1), -- if there is no signaling channel
        messageOriented(4)
      }
      MIN-ACCESS read-only
      DESCRIPTION
        "Possible signaling modes for
        T1 ISDN Primary Rate interfaces."

    OBJECT dsx1TransmitClockSource
      SYNTAX INTEGER {
        loopTiming(1)
      }
      MIN-ACCESS read-only
      DESCRIPTION
        "The transmit clock is derived from
        received clock on ISDN Primary Rate
        interfaces."
```

OBJECT dsx1Fd1  
 MIN-ACCESS read-only  
 DESCRIPTION  
 "Facilities Data Link usage on T1 ISDN  
 Primary Rate interfaces.  
 Note: Eventually dsx1Att-54016(4) is to be  
 used here since the line type is ESF."

OBJECT dsx1Channelization  
 MIN-ACCESS read-only  
 DESCRIPTION  
 "The ability to set the channelization  
 is not required."

OBJECT dsx1LineMode  
 MIN-ACCESS read-only  
 DESCRIPTION  
 "The ability to set the Line Mode is not  
 required."

OBJECT dsx1LineBuildOut  
 MIN-ACCESS read-only  
 DESCRIPTION  
 "The ability to set the Line build out is not  
 required."

::= { ds1Compliances 6 }

ds1MibE1PrinCompliance MODULE-COMPLIANCE

STATUS current

DESCRIPTION

"Compliance statement for using this MIB for ISDN  
 Primary Rate interfaces on E1 lines."

MODULE

MANDATORY-GROUPS { ds1NearEndConfigurationGroup,  
 ds1NearEndStatisticsGroup }

OBJECT dsx1LineType  
 SYNTAX INTEGER {  
 dsx1E1CRC(5)  
 }  
 MIN-ACCESS read-only  
 DESCRIPTION  
 "Line type for E1 ISDN Primary Rate  
 interfaces."

OBJECT dsx1LineCoding  
 SYNTAX INTEGER {  
 dsx1HDB3(3)

```
    }
    MIN-ACCESS read-only
    DESCRIPTION
        "Type of Zero Code Suppression for
        E1 ISDN Primary Rate interfaces."

OBJECT dsx1SignalMode
    SYNTAX INTEGER {
        messageOriented(4)
    }
    MIN-ACCESS read-only
    DESCRIPTION
        "Signaling on E1 ISDN Primary Rate interfaces
        is always message oriented."

OBJECT dsx1TransmitClockSource
    SYNTAX INTEGER {
        loopTiming(1)
    }
    MIN-ACCESS read-only
    DESCRIPTION
        "The transmit clock is derived from received
        clock on ISDN Primary Rate interfaces."

OBJECT dsx1Fdl
    MIN-ACCESS read-only
    DESCRIPTION
        "Facilities Data Link usage on E1 ISDN
        Primary Rate interfaces.
        Note: There is a 'M-Channel' in E1,
        using National Bit Sa4 (G704,
        Table 4a). It is used to implement
        management features between ET
        and NT. This is different to
        FDL in T1, which is used to carry
        control signals and performance
        data. In E1, control and status
        signals are carried using National
        Bits Sa5, Sa6 and A (RAI Ind.).
        This indicates that only the other(1) or
        eventually the dsx1Fdl-none(8) bits should
        be set in this object for E1 PRI."

OBJECT dsx1Channelization
    MIN-ACCESS read-only
    DESCRIPTION
        "The ability to set the channelization is not
        required."
```

```
OBJECT dsx1LineMode
  MIN-ACCESS read-only
  DESCRIPTION
    "The ability to set the Line Mode is not required."
```

```
OBJECT dsx1LineBuildOut
  MIN-ACCESS read-only
  DESCRIPTION
    "The ability to set the Line build out is not
    required."
 ::= { ds1Compliances 7 }
```

-- units of conformance

```
ds1NearEndConfigGroup OBJECT-GROUP
  OBJECTS { dsx1LineIndex,
            dsx1TimeElapsed,
            dsx1ValidIntervals,
            dsx1LineType,
            dsx1LineCoding,
            dsx1SendCode,
            dsx1CircuitIdentifier,
            dsx1LoopbackConfig,
            dsx1LineStatus,
            dsx1SignalMode,
            dsx1TransmitClockSource,
            dsx1Fdl,
            dsx1InvalidIntervals,
            dsx1LineLength,
            dsx1LoopbackStatus,
            dsx1Ds1ChannelNumber,
            dsx1Channelization
            }
  STATUS deprecated
  DESCRIPTION
    "A collection of objects providing configuration
    information applicable to all DS1 interfaces."
 ::= { ds1Groups 1 }
```

```
ds1NearEndStatisticsGroup OBJECT-GROUP
  OBJECTS { dsx1CurrentIndex,
            dsx1CurrentESSs,
            dsx1CurrentSESSs,
            dsx1CurrentSEFSSs,
            dsx1CurrentUASSs,
            dsx1CurrentCSSs,
            dsx1CurrentPCVs,
            dsx1CurrentLESSs,
            dsx1CurrentBESSs,
```

```

    dsx1CurrentDMs,
    dsx1CurrentLCVs,
    dsx1IntervalIndex,
    dsx1IntervalNumber,
    dsx1IntervalESs,
    dsx1IntervalSESSs,
    dsx1IntervalSEFSSs,
    dsx1IntervalUASSs,
    dsx1IntervalCSSSs,
    dsx1IntervalPCVs,
    dsx1IntervalLESSs,
    dsx1IntervalBESSs,
    dsx1IntervalDMs,
    dsx1IntervalLCVs,
    dsx1IntervalValidData,
    dsx1TotalIndex,
    dsx1TotalESs,
    dsx1TotalSESSs,
    dsx1TotalSEFSSs,
    dsx1TotalUASSs,
    dsx1TotalCSSSs,
    dsx1TotalPCVs,
    dsx1TotalLESSs,
    dsx1TotalBESSs,
    dsx1TotalDMs,
    dsx1TotalLCVs }
STATUS current
DESCRIPTION
    "A collection of objects providing statistics
    information applicable to all DS1 interfaces."
 ::= { ds1Groups 2 }

ds1FarEndGroup OBJECT-GROUP
OBJECTS { dsx1FarEndCurrentIndex,
          dsx1FarEndTimeElapsed,
          dsx1FarEndValidIntervals,
          dsx1FarEndCurrentESs,
          dsx1FarEndCurrentSESSs,
          dsx1FarEndCurrentSEFSSs,
          dsx1FarEndCurrentUASSs,
          dsx1FarEndCurrentCSSSs,
          dsx1FarEndCurrentLESSs,
          dsx1FarEndCurrentPCVs,
          dsx1FarEndCurrentBESSs,
          dsx1FarEndCurrentDMs,
          dsx1FarEndInvalidIntervals,
          dsx1FarEndIntervalIndex,
          dsx1FarEndIntervalNumber,

```

```

        dsx1FarEndIntervalESs,
        dsx1FarEndIntervalSESSs,
        dsx1FarEndIntervalSEFSSs,
        dsx1FarEndIntervalUASSs,
        dsx1FarEndIntervalCSSSs,
        dsx1FarEndIntervalLESSs,
        dsx1FarEndIntervalPCVs,
        dsx1FarEndIntervalBESSs,
        dsx1FarEndIntervalDMSs,
        dsx1FarEndIntervalValidData,
        dsx1FarEndTotalIndex,
        dsx1FarEndTotalESs,
        dsx1FarEndTotalSESSs,
        dsx1FarEndTotalSEFSSs,
        dsx1FarEndTotalUASSs,
        dsx1FarEndTotalCSSSs,
        dsx1FarEndTotalLESSs,
        dsx1FarEndTotalPCVs,
        dsx1FarEndTotalBESSs,
        dsx1FarEndTotalDMSs }
STATUS    current
DESCRIPTION
    "A collection of objects providing remote
    configuration and statistics information."
 ::= { ds1Groups 3 }

ds1DeprecatedGroup OBJECT-GROUP
OBJECTS { dsx1IfIndex,
          dsx1FracIndex,
          dsx1FracNumber,
          dsx1FracIfIndex }
STATUS    deprecated
DESCRIPTION
    "A collection of obsolete objects that may be
    implemented for backwards compatibility."
 ::= { ds1Groups 4 }

ds1NearEndOptionalConfigGroup OBJECT-GROUP
OBJECTS { dsx1LineStatusLastChange,
          dsx1LineStatusChangeTrapEnable }
STATUS    current
DESCRIPTION
    "A collection of objects that may be implemented
    on DS1 and DS2 interfaces."
 ::= { ds1Groups 5 }

ds1DS2Group OBJECT-GROUP
OBJECTS { dsx1LineIndex,

```



```
        dsx1LineType,
        dsx1LineCoding,
        dsx1SendCode,
        dsx1LineStatus,
        dsx1SignalMode,
        dsx1TransmitClockSource,
        dsx1Channelization }
STATUS    current
DESCRIPTION
    "A collection of objects providing information
    about DS2 (6,312 kbps) and E2 (8,448 kbps)
    systems."
 ::= { dslGroups 6 }

dslTransStatsGroup OBJECT-GROUP
OBJECTS { dsx1CurrentESSs,
          dsx1CurrentSESSs,
          dsx1CurrentUASSs,
          dsx1IntervalESSs,
          dsx1IntervalSESSs,
          dsx1IntervalUASSs,
          dsx1TotalESSs,
          dsx1TotalSESSs,
          dsx1TotalUASSs }
STATUS    current
DESCRIPTION
    "A collection of objects which are the
    statistics which can be collected from a dsl
    interface that is running transparent or unframed
    lineType. Statistics not in this list should
    return noSuchInstance."
 ::= { dslGroups 7 }

dslNearEndOptionalTrapGroup NOTIFICATION-GROUP
NOTIFICATIONS { dsx1LineStatusChange }
STATUS    current
DESCRIPTION
    "A collection of notifications that may be
    implemented on DS1 and DS2 interfaces."
 ::= { dslGroups 8 }

dslChanMappingGroup OBJECT-GROUP
OBJECTS { dsx1ChanMappedIfIndex }
STATUS    current
DESCRIPTION
    "A collection of objects that give an mapping of
    DS3 Channel (dsx1DslChannelNumber) to ifIndex."
 ::= { dslGroups 9 }
```

```

ds1NearEndConfigurationGroup OBJECT-GROUP
  OBJECTS { dsx1LineIndex,
            dsx1TimeElapsed,
            dsx1ValidIntervals,
            dsx1LineType,
            dsx1LineCoding,
            dsx1SendCode,
            dsx1CircuitIdentifier,
            dsx1LoopbackConfig,
            dsx1LineStatus,
            dsx1SignalMode,
            dsx1TransmitClockSource,
            dsx1Fdl,
            dsx1InvalidIntervals,
            dsx1LineLength,
            dsx1LoopbackStatus,
            dsx1Ds1ChannelNumber,
            dsx1Channelization,
            dsx1LineMode,
            dsx1LineBuildOut
            }
  STATUS current
  DESCRIPTION
    "A collection of objects providing configuration
    information applicable to all DS1 interfaces."
  ::= { ds1Groups 10 }

```

END

#### 4. Acknowledgments

This document was produced by the ATOM MIB Working Group. The Editor would like to dedicate a special thanks to C. Mike Heard for providing a top notch doctor review and many helpful suggestions, and to acknowledge D. Fowler, Editor of RFC 2495, F. Baker and J. Watt Editors of RFC 1406.

#### 5. Security Considerations

There are a number of management objects defined in this MIB module with a MAX-ACCESS clause of read-write. Such objects may be considered sensitive or vulnerable in some network environments. The support for SET operations in a non-secure environment without proper protection can have a negative effect on network operations. The specific objects and their sensitivities/vulnerabilities are as follows.

Setting the following objects to incorrect values may result in traffic interruptions:

- dsxlLineType
- dsxlLineCoding
- dsxlSendCode
- dsxlLoopbackConfig
- dsxlSignalMode
- dsxlTransmitClockSource
- dsxlFdl
- dsxlLineLength
- dsxlChannelization
- dsxlLineMode
- dsxlLineBuildOut

In the case of `dsxlLineType`, for example, both ends of a DS1/E1 must have the same value in order for traffic to flow. In the case of `dsxlSendCode` and `dsxlLoopbackConfig`, for another example, traffic may stop transmitting when particular loopbacks are applied.

Setting the following object to an incorrect value will not harm the traffic, but it may cause a circuit to be mis-identified and thereby create difficulties for service personnel when attempting to troubleshoot a problem:

- `dsxlCircuitIdentifier`

Setting the following object can cause an increase in the number of traps received by the network management station:

- `dsxlLineStatusChangeTrapEnable`

The readable objects in this MIB module (i.e., the objects with a MAX-ACCESS other than not-accessible) may be considered sensitive in some environments since, collectively, they provide extensive information about the performance of interfaces in DS1/E1/DS2/E2 equipment or networks and can reveal some aspects of their configuration. In such environments, it is important to control even GET and NOTIFY access to these objects and possibly to encrypt the values of these objects when sending them over the network via SNMP.

SNMP versions prior to SNMPv3 did not include adequate security. Even if the network itself is secure (for example by using IPsec), even then, there is no control as to who on the secure network is allowed to access and GET/SET (read/change/create/delete) the objects in this MIB module.

It is RECOMMENDED that implementers consider the security features as provided by the SNMPv3 framework (see [RFC3410], section 8), including full support for the SNMPv3 cryptographic mechanisms (for authentication and privacy).

Further, deployment of SNMP versions prior to SNMPv3 is NOT RECOMMENDED. Instead, it is RECOMMENDED to deploy SNMPv3 and to enable cryptographic security. It is then a customer/operator responsibility to ensure that the SNMP entity giving access to an instance of this MIB module is properly configured to give access to the objects only to those principals (users) that have legitimate rights to indeed GET or SET (change/create/delete) them.

## 6. References

### 6.1. Normative References

- [RFC2578] McCloghrie, K., Perkins, D., and J. Schoenwaelder, "Structure of Management Information Version 2 (SMIv2)", STD 58, RFC 2578, April 1999.
- [RFC2579] McCloghrie, K., Perkins, D., and J. Schoenwaelder, "Textual Conventions for SMIv2", STD 58, RFC 2579, April 1999.
- [RFC2580] McCloghrie, K., Perkins, D., and J. Schoenwaelder, "Conformance Statements for SMIv2", STD 58, RFC 2580, April 1999.
- [RFC2863] McCloghrie, K. and F. Kastenholz, "The Interfaces Group MIB", RFC 2863, June 2000.
- [AT&T-TR-54016] AT&T Technical Reference, Requirements for Interfacing Digital Terminal Equipment to Services Employing the Extended Superframe Format, Publication 54016, May 1988.
- [ANSI-T1.403] American National Standard for Telecommunications -- Carrier-to-Customer Installation - DS1 Metallic Interface, T1.403, February 1989.
- [CCITT-G.703] CCITT Specifications Volume III, Recommendation G.703, Physical/Electrical Characteristics of Hierarchical Digital Interfaces, April 1991.
- [ITU-T-G.704] ITU-T G.704: Synchronous frame structures used at 1544, 6312, 2048, 8488 and 44 736 kbit/s Hierarchical Levels, July 1995.

- [ANSI-T1.231] American National Standard for Telecommunications -- Digital Hierarchy -- Layer 1 In-Service Digital Transmission Performance Monitoring, T1.231, Sept 1993.
- [CCITT-O.162] CCITT Specifications Volume IV, Recommendation O.162, Equipment To Perform In Service Monitoring On 2048 kbit/s Signals, July 1988.
- [CCITT-G.821] CCITT Specifications Volume III, Recommendation G.821, Error Performance Of An International Digital Connection Forming Part Of An Integrated Services Digital Network, July 1988.
- [AT&T-TR-62411] AT&T Technical Reference, Technical Reference 62411, ACCUNET T1.5 Service Description And Interface Specification, December 1990.
- [CCITT-G.706] CCITT Specifications Volume III, Recommendation G.706, Frame Alignment and Cyclic Redundancy Check (CRC) Procedures Relating to Basic Frame Structures Defined in Recommendation G.704, July 1988.
- [CCITT-G.732] CCITT Specifications Volume III, Recommendation G.732, Characteristics Of Primary PCM Multiplex Equipment Operating at 2048 kbit/s, July 1988.
- [ITU-T-G.775] ITU-T G.775: Loss of signal (LOS) and alarm indication signal (AIS) defect detection and clearance criteria, May 1995.
- [ITU-T-G.826] ITU-T G.826: Error performance parameters and objectives for international, constant bit rate digital paths at or above the primary rate, November 1993.
- [ANSI-T1.107] American National Standard for Telecommunications -- Digital Hierarchy - Format Specifications, T1.107, August 1988.
- [RFC3593] Tesink, K., Ed., "Textual Conventions for MIB Modules Using Performance History Based on 15 Minute Intervals", RFC 3593, September 2003.
- [ITU-T-M.1400] ITU-T M.1400: Designation For Interconnections Among Network Operators, October 2001.

## 6.2. Informative References

- [RFC1213] McCloghrie, K. and M. Rose, "Management Information Base for Network Management of TCP/IP-based internets: MIB-II", STD 17, RFC 1213, March 1991.
- [RFC2494] Fowler, D., "Definitions of Managed Objects for the DS0 and DS0 Bundle Interface Type", RFC 2494, January 1999.
- [RFC2495] Fowler, D., Ed., "Definitions of Managed Objects for the DS1, E1, DS2 and E1 Interface Types", RFC 2495, January 1999.
- [RFC1406] Baker, F. and J. Watt, Eds., "Definitions of Managed Objects for the DS1 and E1 Interface Types", RFC 1406, January 1993.
- [AT&T-UM-305] AT&T Information Systems, AT&T ESF DS1 Channel Service Unit User's Manual, 999-100-305, February 1988.
- [RFC3410] Case, J., Mundy, R., Partain, D., and B. Stewart, "Introduction and Applicability Statements for Internet-Standard Management Framework", RFC 3410, December 2002.
- [RFC3592] Tesink, K., "Definitions of Managed Objects for the Synchronous Optical Network/Synchronous Digital Hierarchy (SONET/SDH) Interface Type", RFC 3592, September 2003.
- [RFC3896] Nicklass, O., Ed., "Definitions of Managed Objects for the DS3/E3 Interface Types", RFC 3896, September 2004.

## Appendix A - Use of dsx1IfIndex and dsx1LineIndex

This Appendix exists to document the previous use of dsx1IfIndex and dsx1LineIndex and to clarify the relationship of dsx1LineIndex as defined in RFC 1406 with the dsx1LineIndex as defined in this document.

The following shows the old and new definitions and the relationship:

[New Definition]: "This object should be made equal to ifIndex. The next paragraph describes its previous usage. Making the object equal to ifIndex allows proper use of ifStackTable and ds0/ds0bundle mibs.

[Old Definition]: "This object is the identifier of a DS1 Interface on a managed device. If there is an ifEntry that is directly associated with this and only this DS1 interface, it should have the same value as ifIndex. Otherwise, number the dsx1LineIndices with a unique identifier following the rules of choosing a number that is greater than ifNumber and numbering the inside interfaces (e.g., equipment side) with even numbers and outside interfaces (e.g., network side) with odd numbers."

When the "Old Definition" was created, it was described this way to allow a manager to treat the value `_as if_` it were and ifIndex, i.e., the value would either be: 1) an ifIndex value or 2) a value that was guaranteed to be different from all valid ifIndex values.

The new definition is a subset of that definition, i.e., the value is always an ifIndex value.

The following is Section 3.1 from RFC 1406:

Different physical configurations for the support of SNMP with DS1 equipment exist. To accommodate these scenarios, two different indices for DS1 interfaces are introduced in this MIB. These indices are dsx1IfIndex and dsx1LineIndex.

External interface scenario: the SNMP Agent represents all managed DS1 lines as external interfaces (for example, an Agent residing on the device supporting DS1 interfaces directly):

For this scenario, all interfaces are assigned an integer value equal to ifIndex, and the following applies:

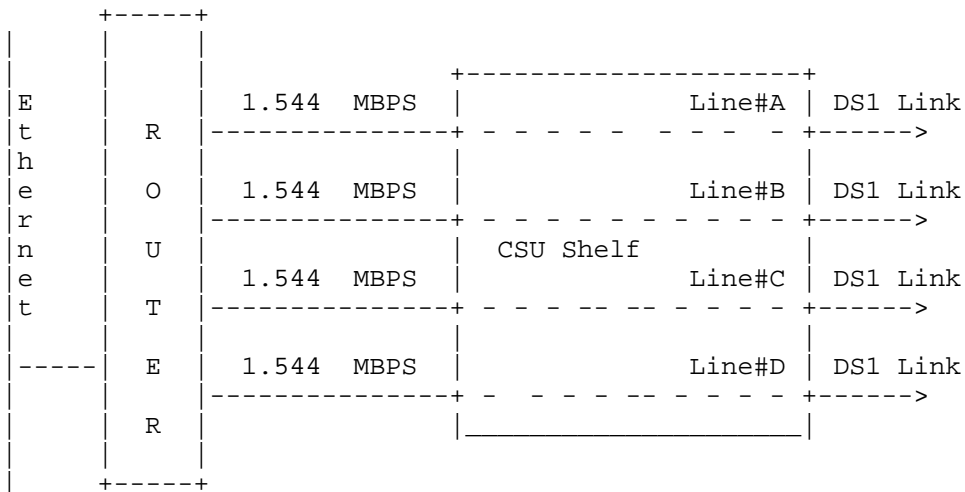
ifIndex=dsx1IfIndex=dsx1LineIndex for all interfaces.

The dsx1IfIndex column of the DS1 Configuration table relates each DS1 interface to its corresponding interface (ifIndex) in the Internet-standard MIB (MIB-II STD 17, RFC 1213) [RFC1213].

External&Internal interface scenario: the SNMP Agents resides on an host external from the device supporting DS1 interfaces (e.g., a router). The Agent represents both the host and the DS1 device. The index dsx1LineIndex is used to not only represent the DS1 interfaces external from the host/DS1-device combination, but also the DS1 interfaces connecting the host and the DS1 device. The index dsx1IfIndex is always equal to ifIndex.

Example:

A shelf full of CSUs connected to a Router. An SNMP Agent residing on the router proxies for itself and the CSU. The router has also an Ethernet interface:



The assignment of the index values could for example be:

| ifIndex (= dsx1IfIndex) |        | dsx1LineIndex |            |
|-------------------------|--------|---------------|------------|
| 1                       | NA     | NA            | (Ethernet) |
| 2                       | Line#A | Router Side   | 6          |
| 2                       | Line#A | Network Side  | 7          |
| 3                       | Line#B | Router Side   | 8          |
| 3                       | Line#B | Network Side  | 9          |
| 4                       | Line#C | Router Side   | 10         |
| 4                       | Line#C | Network Side  | 11         |
| 5                       | Line#D | Router Side   | 12         |
| 5                       | Line#D | Network Side  | 13         |



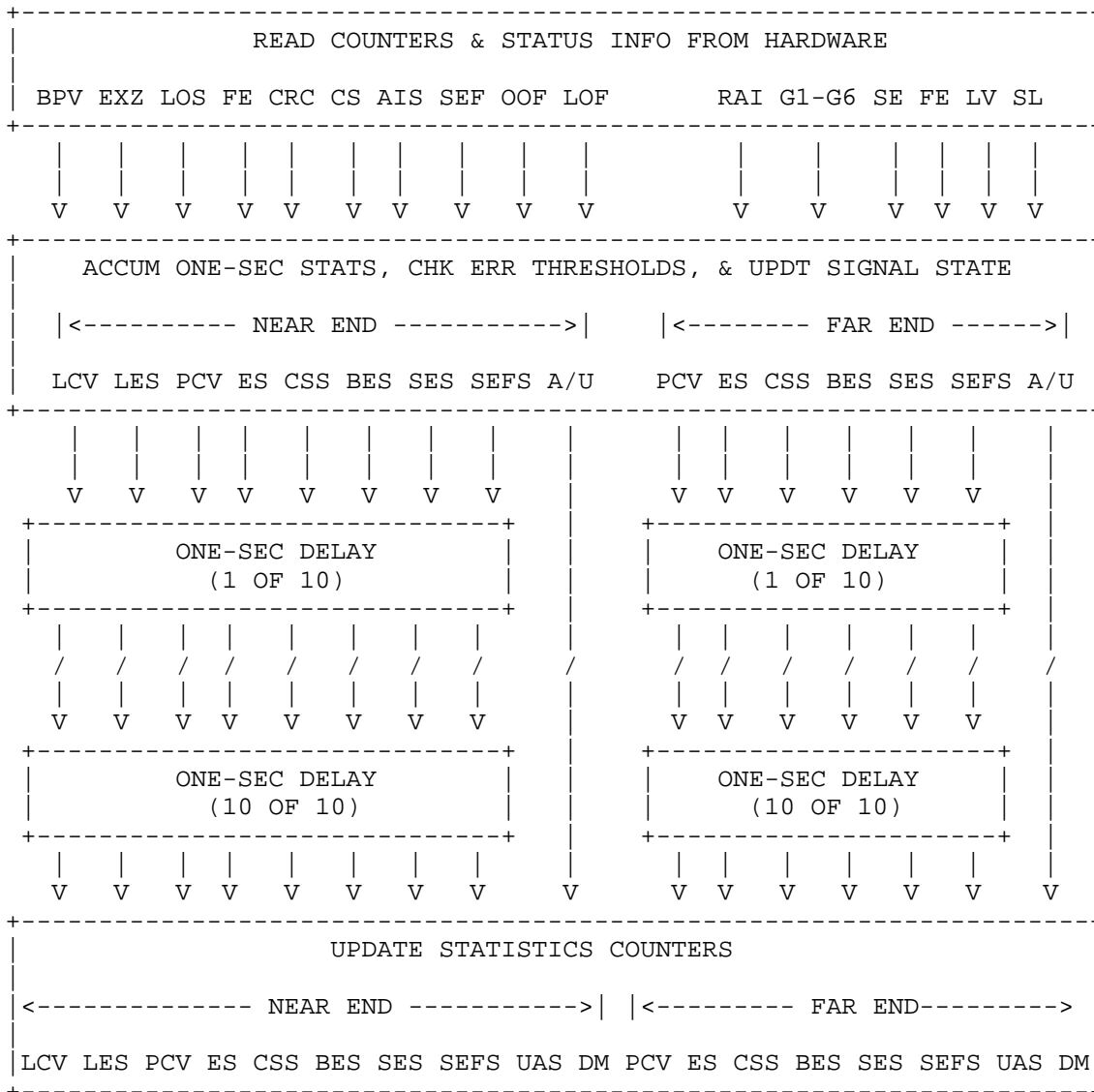
For this example, ifNumber is equal to 5. Note the following description of dsxlLineIndex: the dsxlLineIndex identifies a DS1 Interface on a managed device. If there is an ifEntry that is directly associated with this and only this DS1 interface, it should have the same value as ifIndex. Otherwise, number the dsxlLineIndices with an unique identifier following the rules of choosing a number greater than ifNumber and numbering inside interfaces (e.g., equipment side) with even numbers and outside interfaces (e.g., network side) with odd numbers.

If the CSU shelf is managed by itself by a local SNMP Agent, the situation would be:

| ifIndex (= dsxlIfIndex) |        |              | dsxlLineIndex |
|-------------------------|--------|--------------|---------------|
| 1                       | Line#A | Network Side | 1             |
| 2                       | Line#A | RouterSide   | 2             |
| 3                       | Line#B | Network Side | 3             |
| 4                       | Line#B | RouterSide   | 4             |
| 5                       | Line#C | Network Side | 5             |
| 6                       | Line#C | Router Side  | 6             |
| 7                       | Line#D | Network Side | 7             |
| 8                       | Line#D | Router Side  | 8             |

#### Appendix B - The delay approach to Unavailable Seconds.

This procedure is illustrated below for a DS1 ESF interface. Similar rules would apply for other DS1, DS2, and E1 interface variants. The procedure guarantees that the statistical counters are correctly updated at all times, although they lag real time by 10 seconds. At the end of each 15 minutes interval the current interval counts are transferred to the most recent interval entry and each interval is shifted up by one position, with the oldest being discarded if necessary in order to make room. The current interval counts then start over from zero. Note, however, that the signal state calculation does not start afresh at each interval boundary; rather, signal state information is retained across interval boundaries.



Note that if such a procedure is adopted there is no current interval data for the first ten seconds after a system comes up. noSuchInstance must be returned if a management station attempts to access the current interval counters during this time.

It is an implementation-specific matter whether an agent assumes that the initial state of the interface is available or unavailable.

Author's Address

Orly Nicklass (editor)  
RAD Data Communications, Ltd.  
Ziv Tower, 24 Roul Walenberg  
Tel Aviv, Israel, 69719

Phone: 9723-765-9969  
EMail: orly\_n@rad.com

## Full Copyright Statement

Copyright (C) The Internet Society (2004). This document is subject to the rights, licenses and restrictions contained in BCP 78, and except as set forth therein, the authors retain all their rights.

This document and the information contained herein are provided on an "AS IS" basis and THE CONTRIBUTOR, THE ORGANIZATION HE/SHE REPRESENTS OR IS SPONSORED BY (IF ANY), THE INTERNET SOCIETY AND THE INTERNET ENGINEERING TASK FORCE DISCLAIM ALL WARRANTIES, EXPRESS OR IMPLIED, INCLUDING BUT NOT LIMITED TO ANY WARRANTY THAT THE USE OF THE INFORMATION HEREIN WILL NOT INFRINGE ANY RIGHTS OR ANY IMPLIED WARRANTIES OF MERCHANTABILITY OR FITNESS FOR A PARTICULAR PURPOSE.

## Intellectual Property

The IETF takes no position regarding the validity or scope of any Intellectual Property Rights or other rights that might be claimed to pertain to the implementation or use of the technology described in this document or the extent to which any license under such rights might or might not be available; nor does it represent that it has made any independent effort to identify any such rights. Information on the procedures with respect to rights in RFC documents can be found in BCP 78 and BCP 79.

Copies of IPR disclosures made to the IETF Secretariat and any assurances of licenses to be made available, or the result of an attempt made to obtain a general license or permission for the use of such proprietary rights by implementers or users of this specification can be obtained from the IETF on-line IPR repository at <http://www.ietf.org/ipr>.

The IETF invites any interested party to bring to its attention any copyrights, patents or patent applications, or other proprietary rights that may cover technology that may be required to implement this standard. Please address the information to the IETF at [ietf-ipr@ietf.org](mailto:ietf-ipr@ietf.org).

## Acknowledgement

Funding for the RFC Editor function is currently provided by the Internet Society.